



FJS Series Shallow Well Jet Pump

The FJS Series of high-performance jet pumps is the perfect pump for when your installation calls for higher flow rates. All FJS Shallow Well Jet Pumps come complete with an installed, factory pre-set 30/50 Square D Pressure Switch and dual voltage AO Smith/Century Motors (115/230V).

The compact design integrates the Shallow Well jet components inside the pump case so there is no need for separate adaptors. Once the pump has been primed, the FJS can easily re-prime itself if air gets into the piping system.

Applications:

Potable water systems-homes, farms, cottages, booster systems.

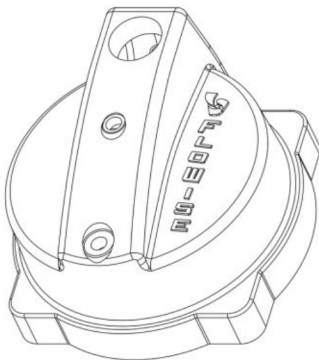
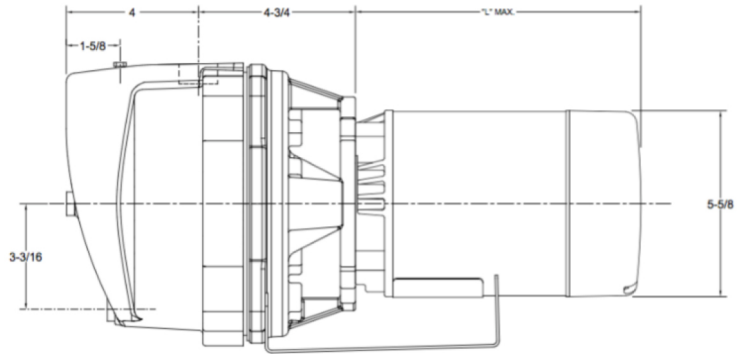
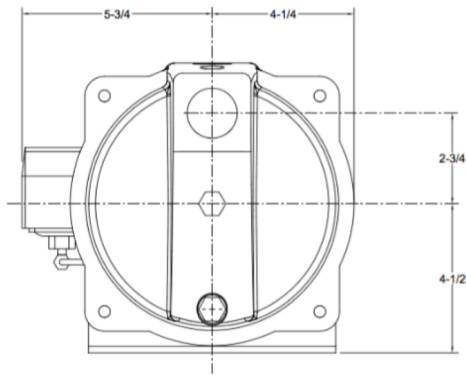
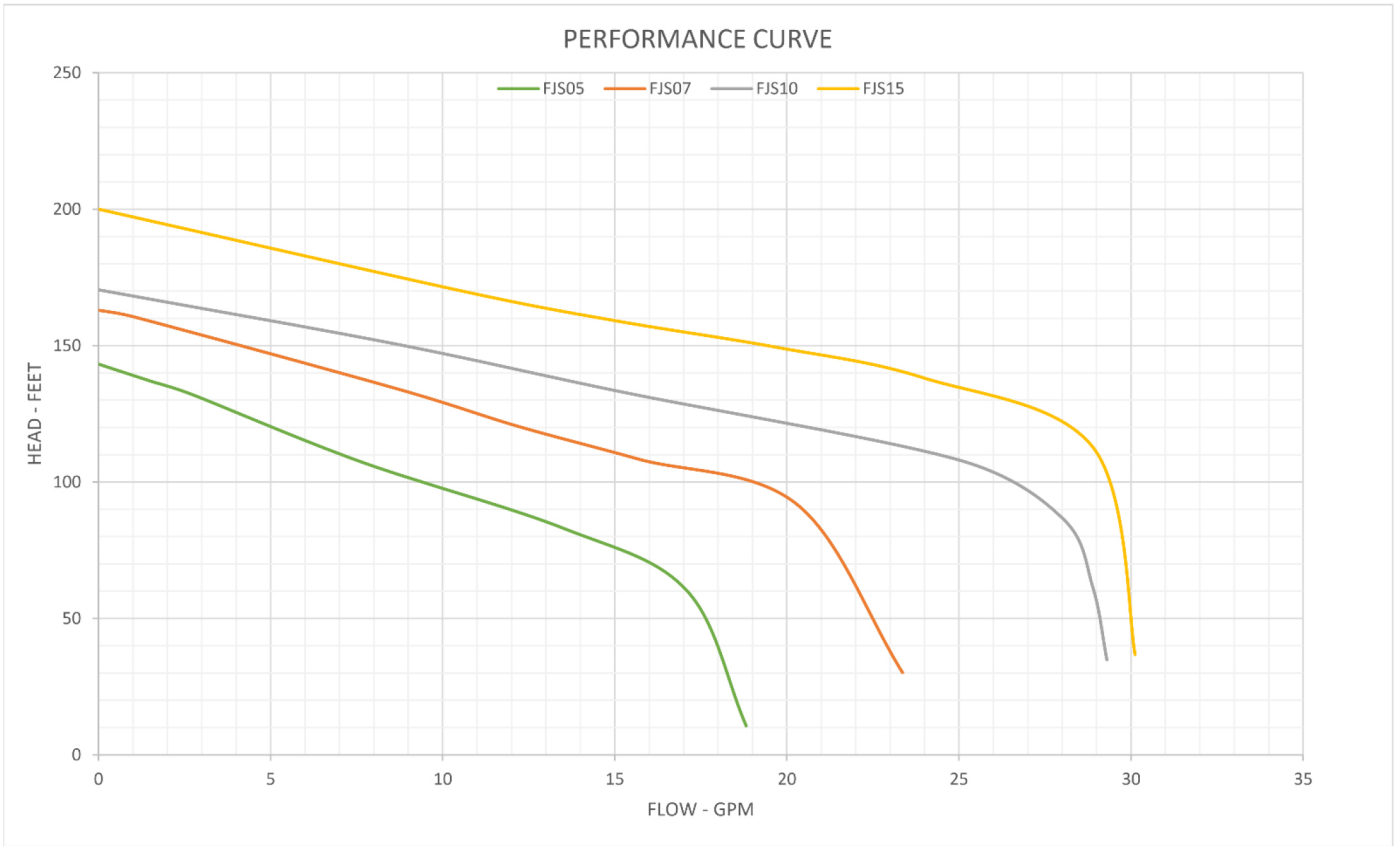


Features –

- The industry proven AO Smith/Century Nema Standard Motor is UL778 Listed and features a 2-compartment design for quick wiring and service if needed. The thermally protected motor is rated for continuous operation without damage. **All 1/2hp Units are Pre-Wired for 115V.**
- Back pullout design allows easy access to pump components. No need to disturb the piping system.
- Square D 30/50 Pressure Switch.
- Internal diaphragm keeps water in the pump case so the mechanical seal is protected from running dry and being damaged.
- Large top port opening to pour in water for initial priming.
- Multiple tapped ports, 1-1/4" Suction & 1" Discharge, 1/4" Pressure Gauge port, Nozzle cleanout port and a drain and winterization port.
- Glass filled Noryl Impeller with stainless steel insert, corrosion resistant, designed for long service life.
- The positively aligned Diffuser includes a Stainless Steel Wear Ring that helps resist abrasion and wear in harsh applications.
- Maximum operating temperature: 140°F
- Assembled and tested in the U.S.A.



Model-HP-SF	FJS05 = 1/2HP 1.6SF					Model-HP-SF	FJS05H = 1/2HP 1.5SF					
Voltage	115/230V					Voltage	115/230V					
Pre-Wired	115V					Pre-Wired	115V					
Ven. & Noz.	FJVEN1 & FJNOZ1					Ven. & Noz.	FJVEN2 & FJNOZ2					
	Discharge Pressure - PSI						Discharge Pressure - PSI					
Total Suction Lift in Feet	20	30	40	50	Max Shut Off (PSI)	Total Suction Lift in Feet	20	30	40	50	60	Max Shut Off (PSI)
	Gallons Per Minute						Gallons Per Minute					
5'	17.5	16.5	10.2	5.0	63	5'	11.5	11.3	11.0	7.7	4.8	83
10'	15.7	14.4	9.2	4.3	61	10'	10.3	10.0	9.6	7.0	4.2	81
15'	13.7	12.5	8.0	3.6	59	15'	8.8	8.6	8.3	6.3	3.7	79
20'	11.5	10.4	7.1	2.3	57	20'	7.0	6.9	6.8	5.8	3.2	76
25'	8.7	8.6	6.2	1.3	54	25'	5.3	5.2	5.2	5.0	2.8	73
Model-HP-SF	FJS07 = 3/4HP 1.5SF					Model-HP-SF	FJS10 = 1HP 1.4SF					
Voltage	115/230V					Voltage	115/230V					
Pre-Wired	230V					Pre-Wired	230V					
Ven. & Noz.	FJVEN3 & FJNOZ3					Ven. & Noz.	FJVEN4 & FJNOZ4					
	Discharge Pressure - PSI						Discharge Pressure - PSI					
Total Suction Lift in Feet	30	40	50	60	Max Shut Off (PSI)	Total Suction Lift in Feet	30	40	50	60	Max Shut Off (PSI)	
	Gallons Per Minute						Gallons Per Minute					
5'	21.3	18.3	12.5	6.6	70	5'	24.8	24.4	16.6	9.9	74	
10'	18.8	17.3	11.3	5.0	68	10'	22.9	22.2	15.8	8.6	72	
15'	16.4	15.5	9.6	3.7	66	15'	19.8	19.5	13.8	6.9	70	
20'	13.6	13.2	8.3	2.0	63	20'	16.6	16.6	12.2	5.6	67	
25'	10.0	9.9	6.4	1.0	59	25'	12.5	12.4	10.4	3.6	65	
Model-HP-SF	FJS15 = 1.5HP 1.3SF					<p style="text-align: center;"><i>Pumps for Professionals Only !!!</i></p> <p>P.O. Box 1815 Fort Worth, TX 76101-1816 www.flowisewater.com email:sales@flowisewater.com</p>						
Voltage	115/230V											
Pre-Wired	230V											
Ven. & Noz.	FJVEN5 & FJNOZ5											
	Discharge Pressure - PSI											
Total Suction Lift in Feet	30	40	50	60	Max Shut Off (PSI)							
	Gallons Per Minute											
5'	26.6	26.3	25.0	15.6	80							
10'	24.7	24.3	22.6	13.9	77							
15'	21.6	21.5	20.4	12.9	75							
20'	18.1	18.0	17.6	12.0	73							
25'	14.0	14.0	14.0	10.1	71							



***Pumps for
Professionals Only !!!***

P.O. Box 1815
 Fort Worth, TX 76101-1816
www.flowisewater.com
 email:sales@flowisewater.com