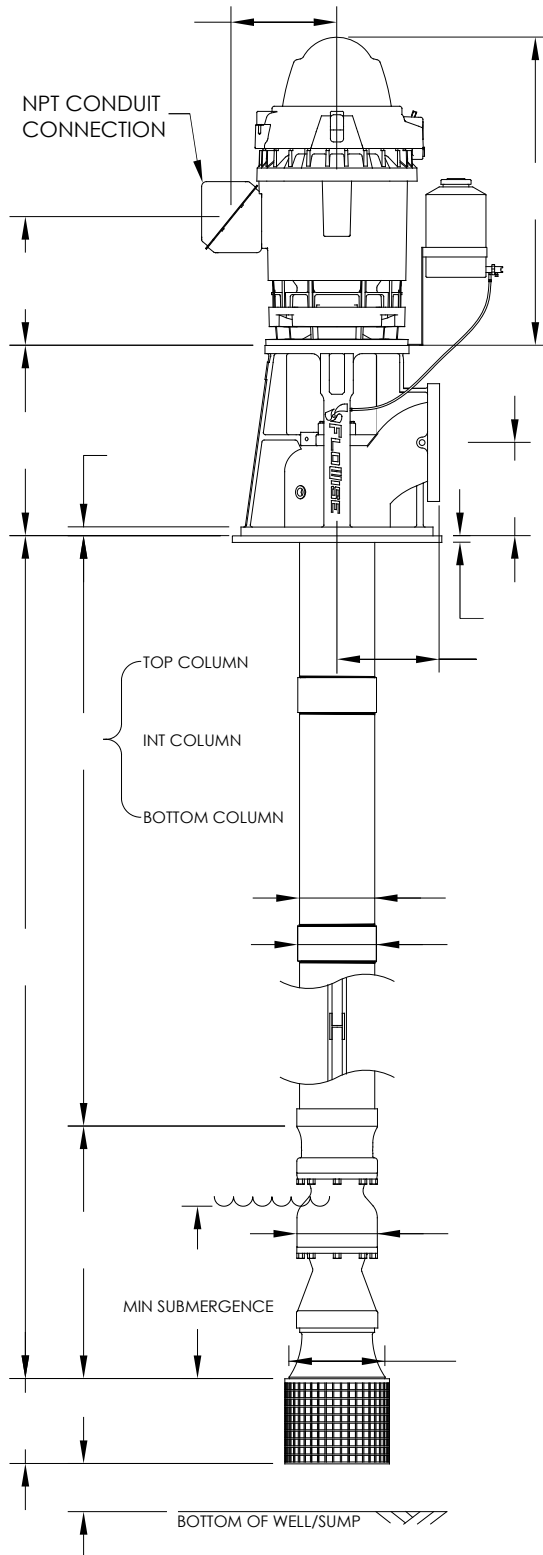
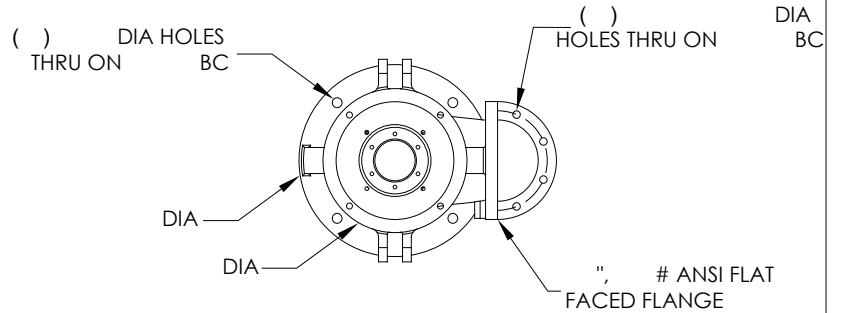


TURBINE PUMP

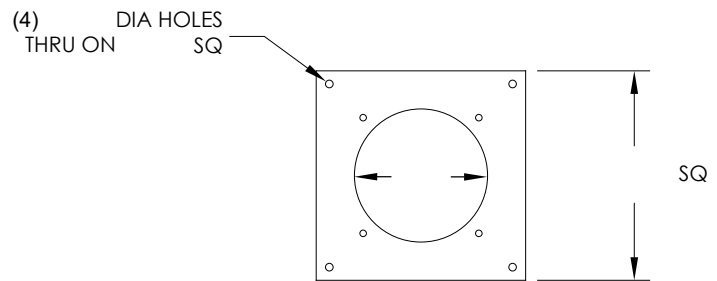
CAST DISCHARGE HEAD, THREADED COLUMN, ENCLOSED LINESHAFT



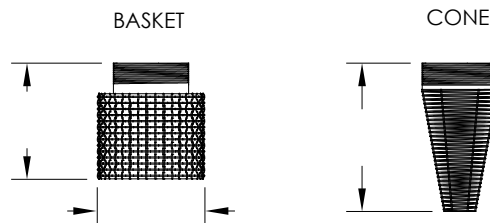
DISCHARGE HEAD



SOLE PLATE



STRAINER OPTIONS



SHAFT AND COLUMN

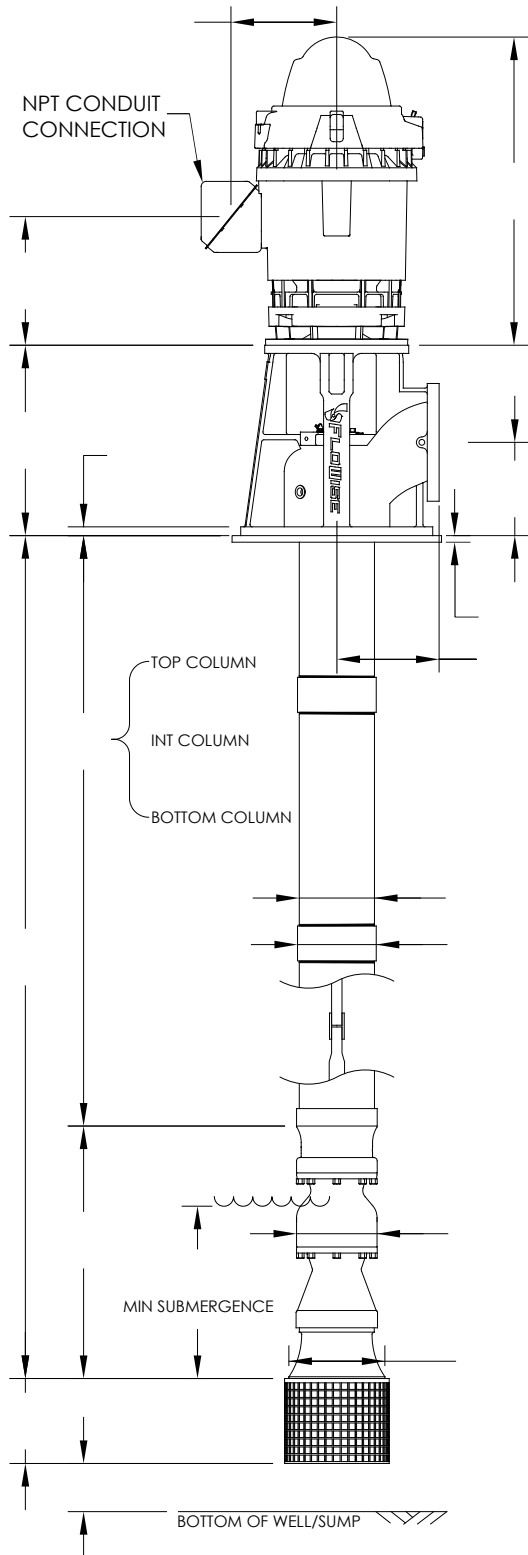
HEADSHAFT Ø	
LINESHAFT Ø	
BOWLSHAFT Ø	
OIL TUBE Ø	
COLUMN WALL	

NOTE: THIS DRAWING IS NOT FOR CONSTRUCTION OR INSTALLATION UNLESS CERTIFIED. DIMENSIONS SHOWN ARE TYPICAL AND MAY VARY DUE TO VARIOUS TOLERANCES.

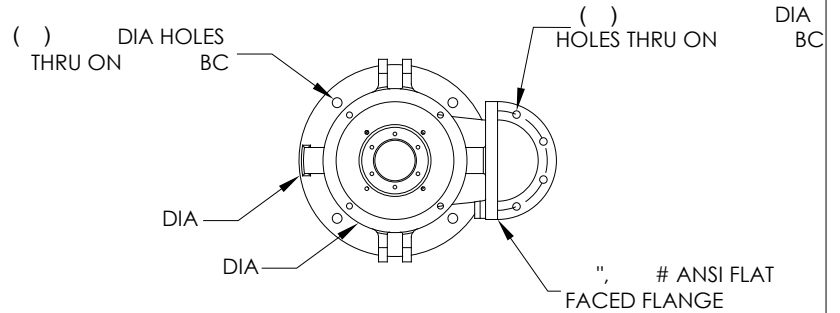
CUSTOMER				DATE	PO
PROJECT				PREPARED BY	
MODEL	STAGES	GPM	TDH	CUSTOMER APPROVAL	
MTR MFG	HP	FRAME	ENCL TYPE		
RPM	VOLTS	PH	HZ		

TURBINE PUMP

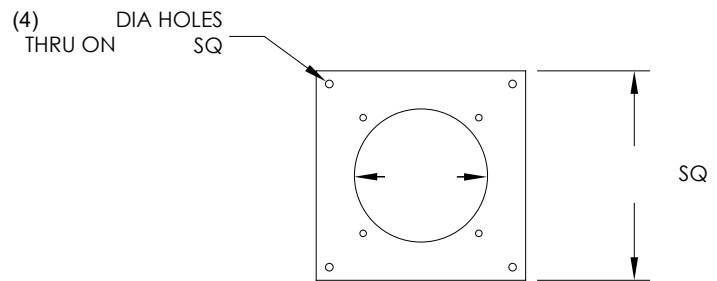
CAST DISCHARGE HEAD, THREADED COLUMN, OPEN LINESHAFT



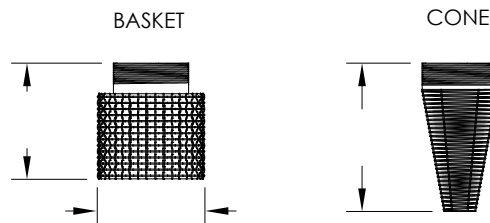
DISCHARGE HEAD



SOLE PLATE



STRAINER OPTIONS



SHAFT AND COLUMN

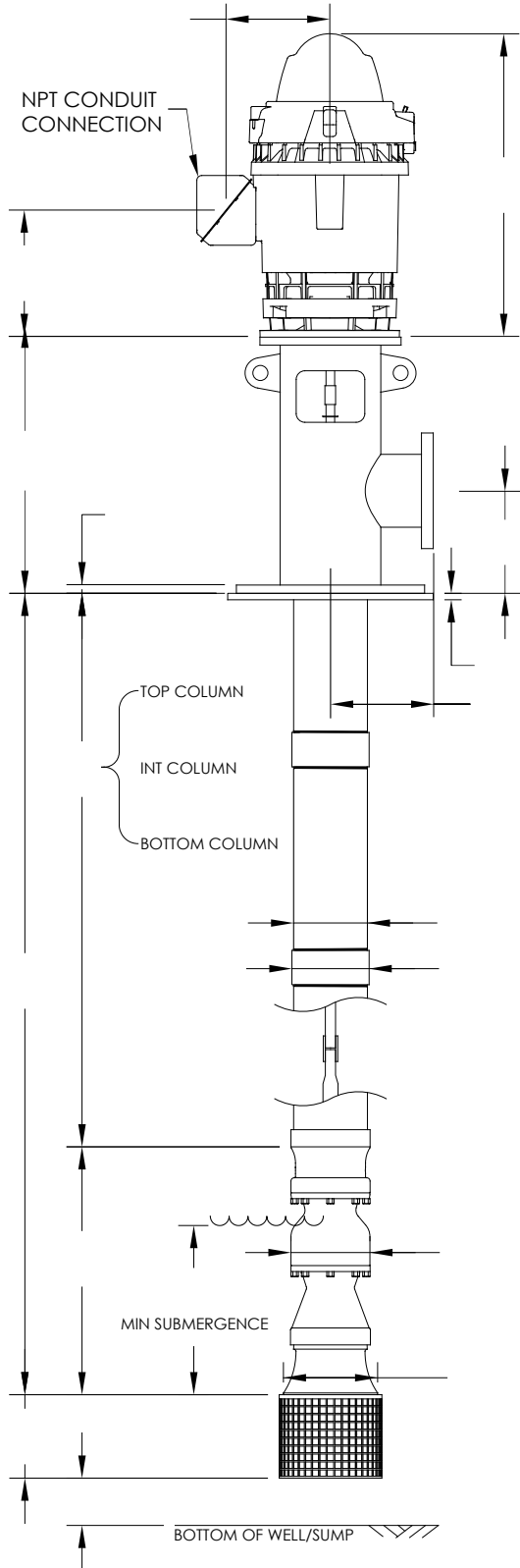
HEADSHAFT Ø	
LINESHAFT Ø	
BOWLSHAFT Ø	
COLUMN WALL	

NOTE: THIS DRAWING IS NOT FOR CONSTRUCTION OR INSTALLATION UNLESS CERTIFIED. DIMENSIONS SHOWN ARE TYPICAL AND MAY VARY DUE TO VARIOUS TOLERANCES.

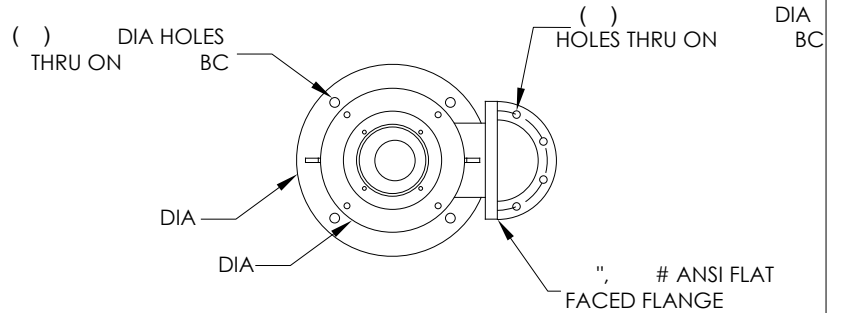
CUSTOMER				DATE	PO
PROJECT				PREPARED BY	
MODEL	STAGES	GPM	TDH	CUSTOMER APPROVAL	
MTR MFG	HP	FRAME	ENCL TYPE		
RPM	VOLTS	PH	HZ		

TURBINE PUMP

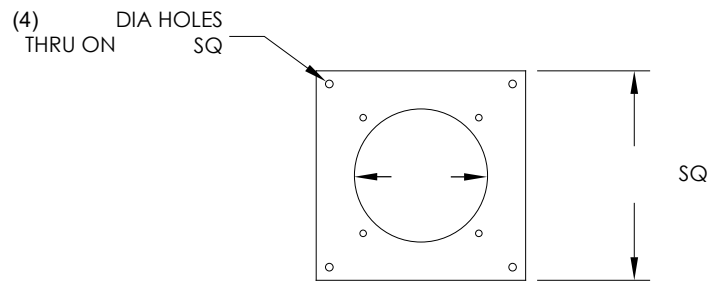
FABRICATED DISCHARGE HEAD, THREADED COLUMN, OPEN LINESHAFT



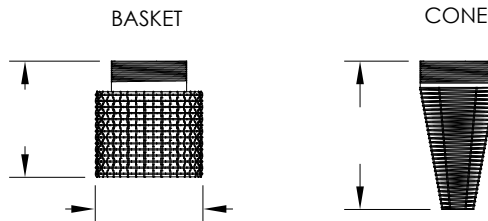
DISCHARGE HEAD



SOLE PLATE



STRAINER OPTIONS



SHAFT AND COLUMN

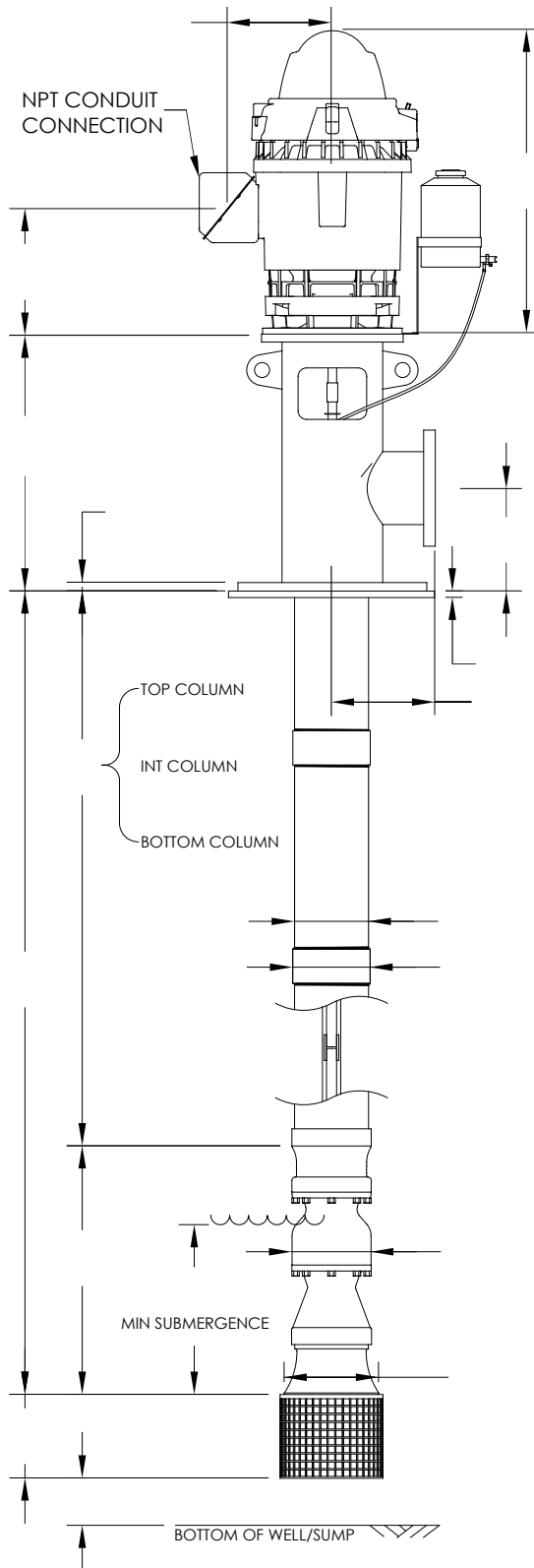
HEADSHAFT Ø	
LINESHAFT Ø	
BOWLSHAFT Ø	
COLUMN WALL	

NOTE: THIS DRAWING IS NOT FOR CONSTRUCTION OR INSTALLATION UNLESS CERTIFIED. DIMENSIONS SHOWN ARE TYPICAL AND MAY VARY DUE TO VARIOUS TOLERANCES.

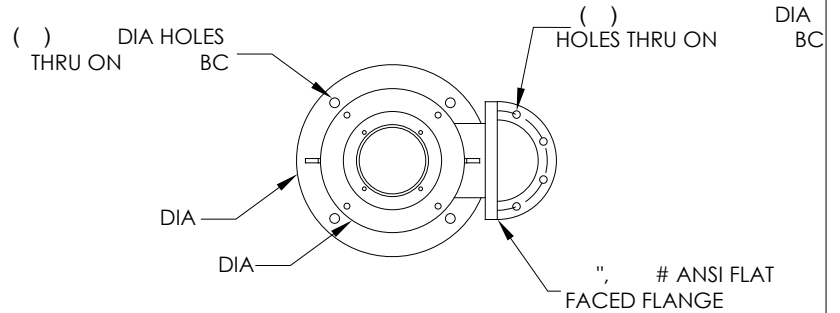
CUSTOMER				DATE	PO
PROJECT				PREPARED BY	
MODEL	STAGES	GPM	TDH	CUSTOMER APPROVAL	
MTR MFG	HP	FRAME	ENCL TYPE		
RPM	VOLTS	PH	HZ		

TURBINE PUMP

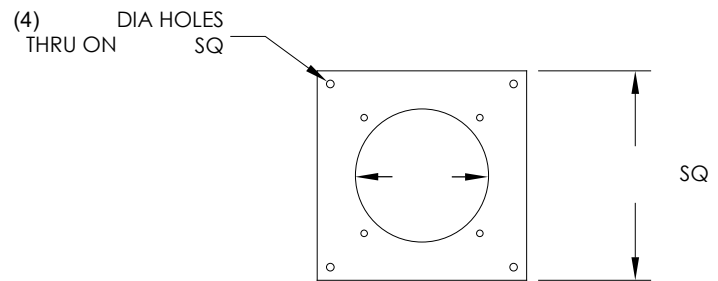
FABRICATED DISCHARGE HEAD, THREADED COLUMN, ENCLOSED LINESHAFT



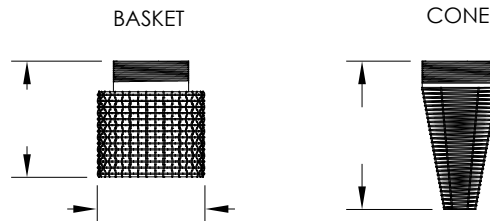
DISCHARGE HEAD



SOLE PLATE



STRAINER OPTIONS



SHAFT AND COLUMN

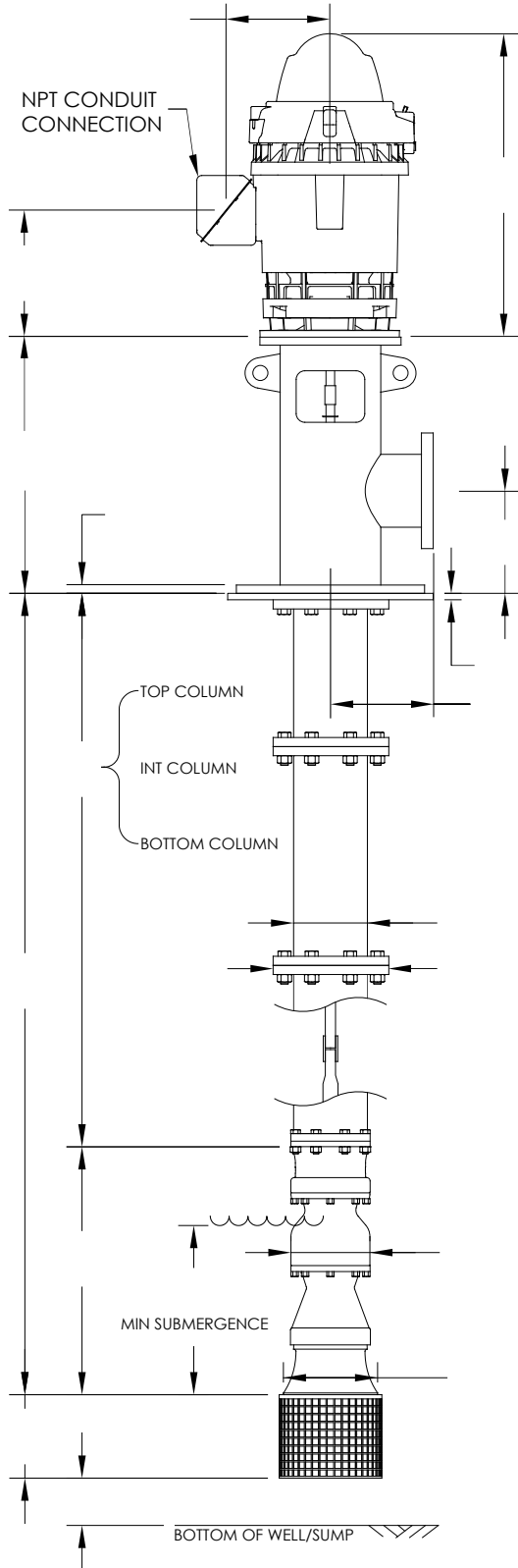
HEADSHAFT Ø	
LINESHAFT Ø	
BOWLSHAFT Ø	
OIL TUBE Ø	
COLUMN WALL	

NOTE: THIS DRAWING IS NOT FOR CONSTRUCTION OR INSTALLATION UNLESS CERTIFIED. DIMENSIONS SHOWN ARE TYPICAL AND MAY VARY DUE TO VARIOUS TOLERANCES.

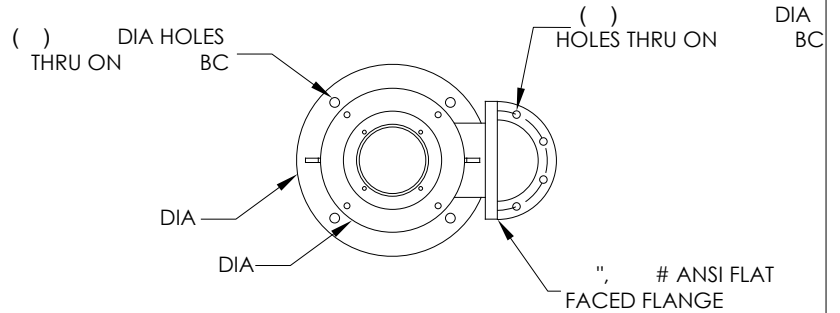
CUSTOMER				DATE	PO
PROJECT				PREPARED BY	
MODEL	STAGES	GPM	TDH	CUSTOMER APPROVAL	
MTR MFG	HP	FRAME	ENCL TYPE		
RPM	VOLTS	PH	HZ		

TURBINE PUMP

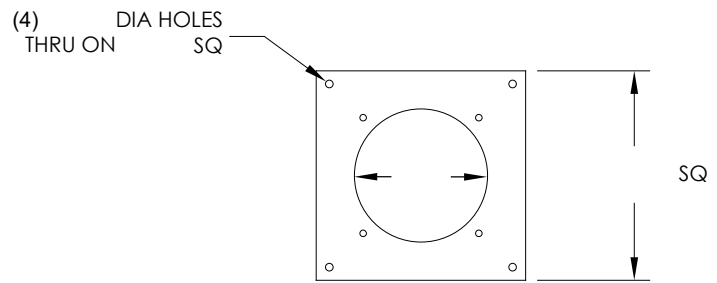
FABRICATED DISCHARGE HEAD, FLANGED COLUMN, OPEN LINESHAFT



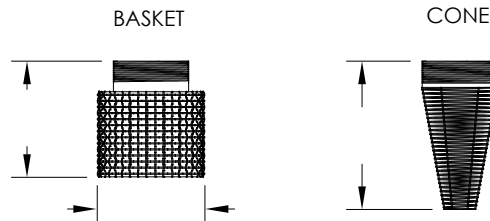
DISCHARGE HEAD



SOLE PLATE



STRAINER OPTIONS



SHAFT AND COLUMN

HEADSHAFT Ø	
LINESHAFT Ø	
BOWLSHAFT Ø	
COLUMN WALL	

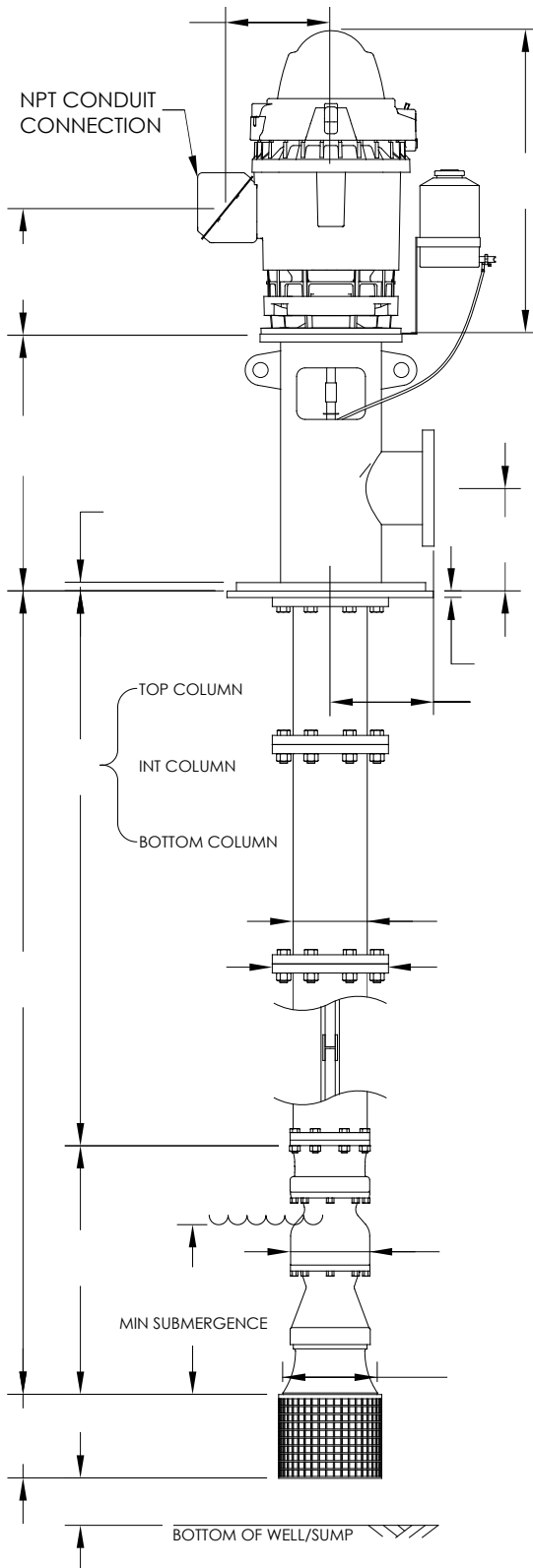
NOTE: THIS DRAWING IS NOT FOR CONSTRUCTION OR INSTALLATION UNLESS CERTIFIED. DIMENSIONS SHOWN ARE TYPICAL AND MAY VARY DUE TO VARIOUS TOLERANCES.

CUSTOMER				DATE	PO
PROJECT				PREPARED BY	
MODEL	STAGES	GPM	TDH	CUSTOMER APPROVAL	
MTR MFG	HP	FRAME	ENCL TYPE		
RPM	VOLTS	PH	HZ		

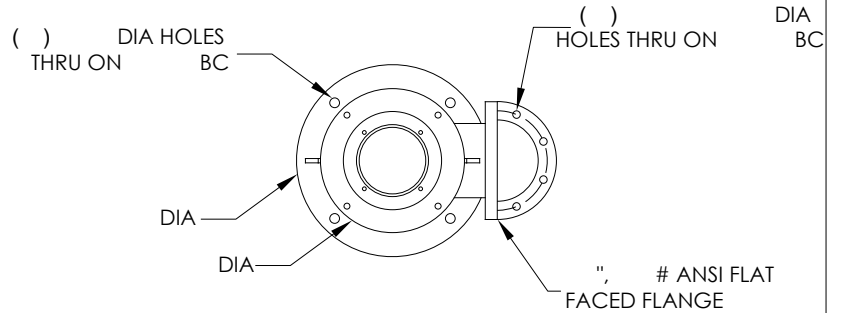


TURBINE PUMP

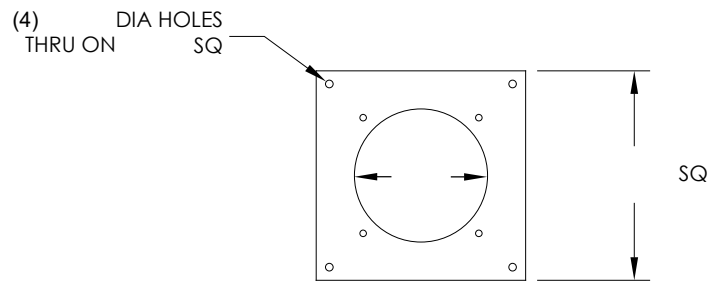
FABRICATED DISCHARGE HEAD, FLANGED COLUMN, ENCLOSED LINESHAFT



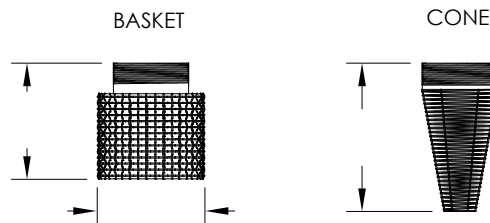
DISCHARGE HEAD



SOLE PLATE



STRAINER OPTIONS



SHAFT AND COLUMN

HEADSHAFT Ø	
LINESHAFT Ø	
BOWLSHAFT Ø	
OIL TUBE Ø	
COLUMN WALL	

NOTE: THIS DRAWING IS NOT FOR CONSTRUCTION OR INSTALLATION UNLESS CERTIFIED. DIMENSIONS SHOWN ARE TYPICAL AND MAY VARY DUE TO VARIOUS TOLERANCES.

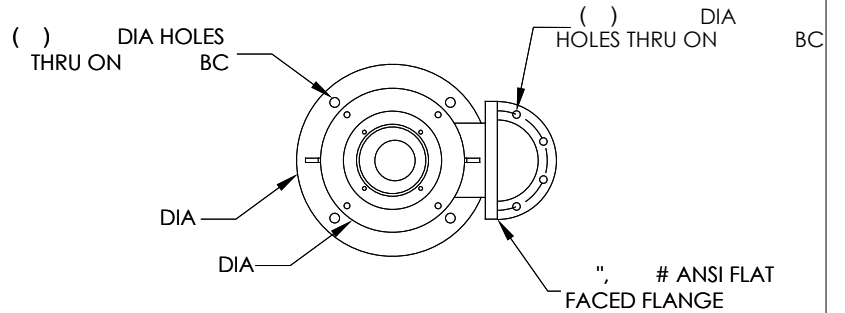
CUSTOMER				DATE	PO
PROJECT				PREPARED BY	
MODEL	STAGES	GPM	TDH	CUSTOMER APPROVAL	
MTR MFG	HP	FRAME	ENCL TYPE		
RPM	VOLTS	PH	HZ		



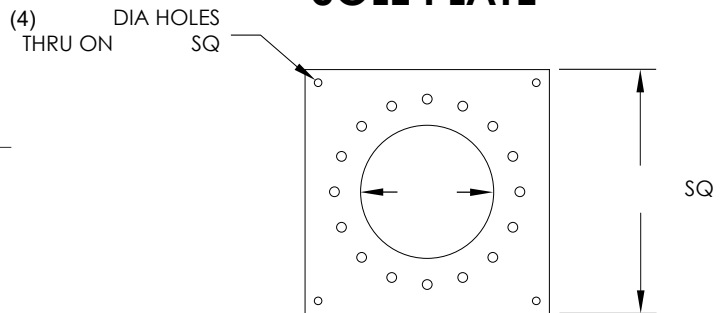
TURBINE PUMP

FABRICATED DISCHARGE HEAD, THREADED COLUMN, OPEN LINESHAFT, BARREL

DISCHARGE HEAD



SOLE PLATE



SHAFT AND COLUMN

HEADSHAFT Ø	
LINESHAFT Ø	
BOWLSHAFT Ø	
COLUMN WALL	
BARREL WALL	

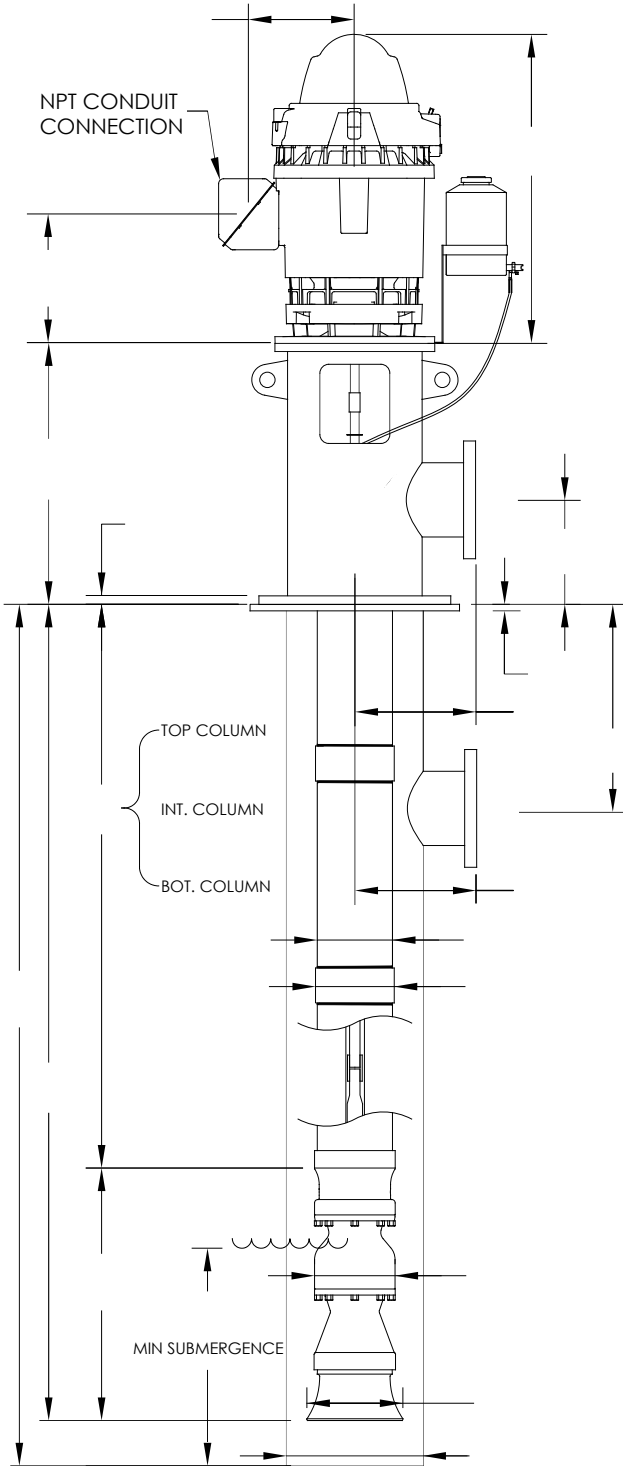
NOTE: THIS DRAWING IS NOT FOR CONSTRUCTION OR INSTALLATION UNLESS CERTIFIED. DIMENSIONS SHOWN ARE TYPICAL AND MAY VARY DUE TO VARIOUS TOLERANCES.

CUSTOMER				DATE	PO
PROJECT				PREPARED BY	
MODEL	STAGES	GPM	TDH	CUSTOMER APPROVAL	
MTR MFG	HP	FRAME	ENCL TYPE		
RPM	VOLTS	PH	HZ		

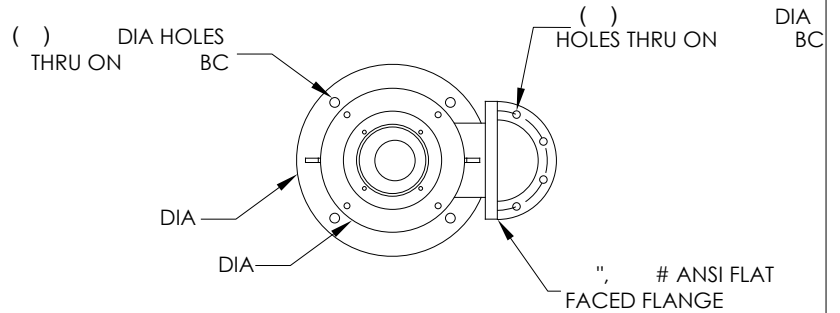


TURBINE PUMP

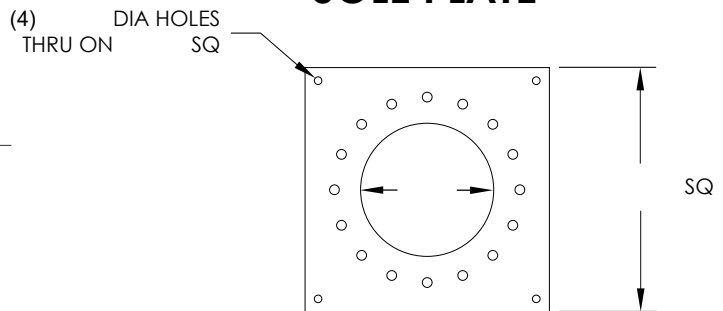
FABRICATED DISCHARGE HEAD, THREADED COLUMN, ENCLOSED LINESHAFT, BARREL



DISCHARGE HEAD



SOLE PLATE



SHAFT AND COLUMN

HEADSHAFT Ø	
LINESHAFT Ø	
BOWLSHAFT Ø	
OIL TUBE Ø	
COLUMN WALL	
BARREL WALL	

NOTE: THIS DRAWING IS NOT FOR CONSTRUCTION OR INSTALLATION UNLESS CERTIFIED. DIMENSIONS SHOWN ARE TYPICAL AND MAY VARY DUE TO VARIOUS TOLERANCES.

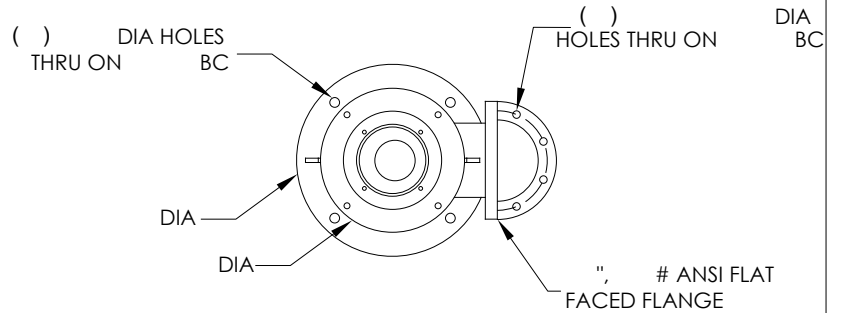
CUSTOMER				DATE	PO
PROJECT				PREPARED BY	
MODEL	STAGES	GPM	TDH	CUSTOMER APPROVAL	
MTR MFG	HP	FRAME	ENCL TYPE		
RPM	VOLTS	PH	HZ		



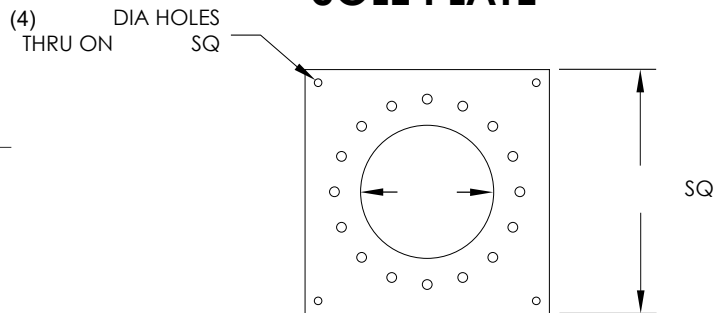
TURBINE PUMP

FABRICATED DISCHARGE HEAD, FLANGED COLUMN, OPEN LINESHAFT, BARREL

DISCHARGE HEAD



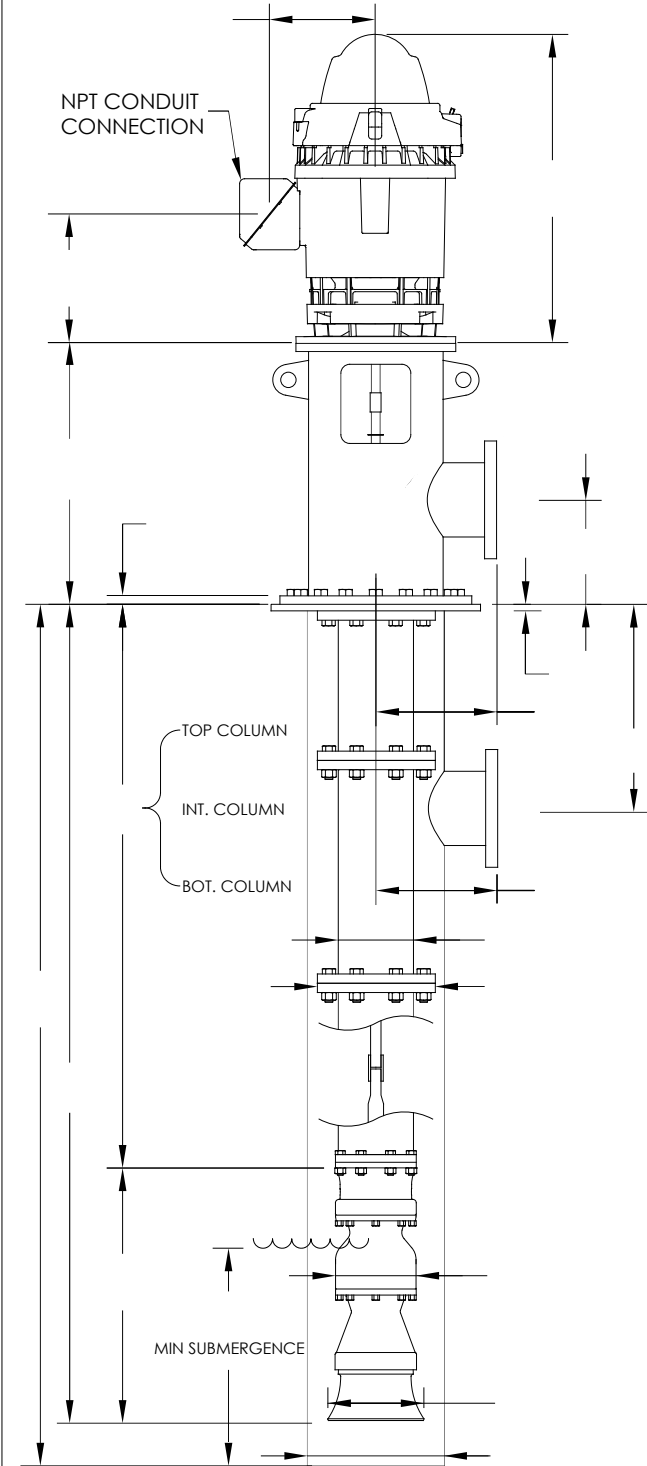
SOLE PLATE



SHAFT AND COLUMN

HEADSHAFT Ø	
LINESHAFT Ø	
BOWLSHAFT Ø	
COLUMN WALL	
BARREL WALL	

NOTE: THIS DRAWING IS NOT FOR CONSTRUCTION OR INSTALLATION UNLESS CERTIFIED. DIMENSIONS SHOWN ARE TYPICAL AND MAY VARY DUE TO VARIOUS TOLERANCES.

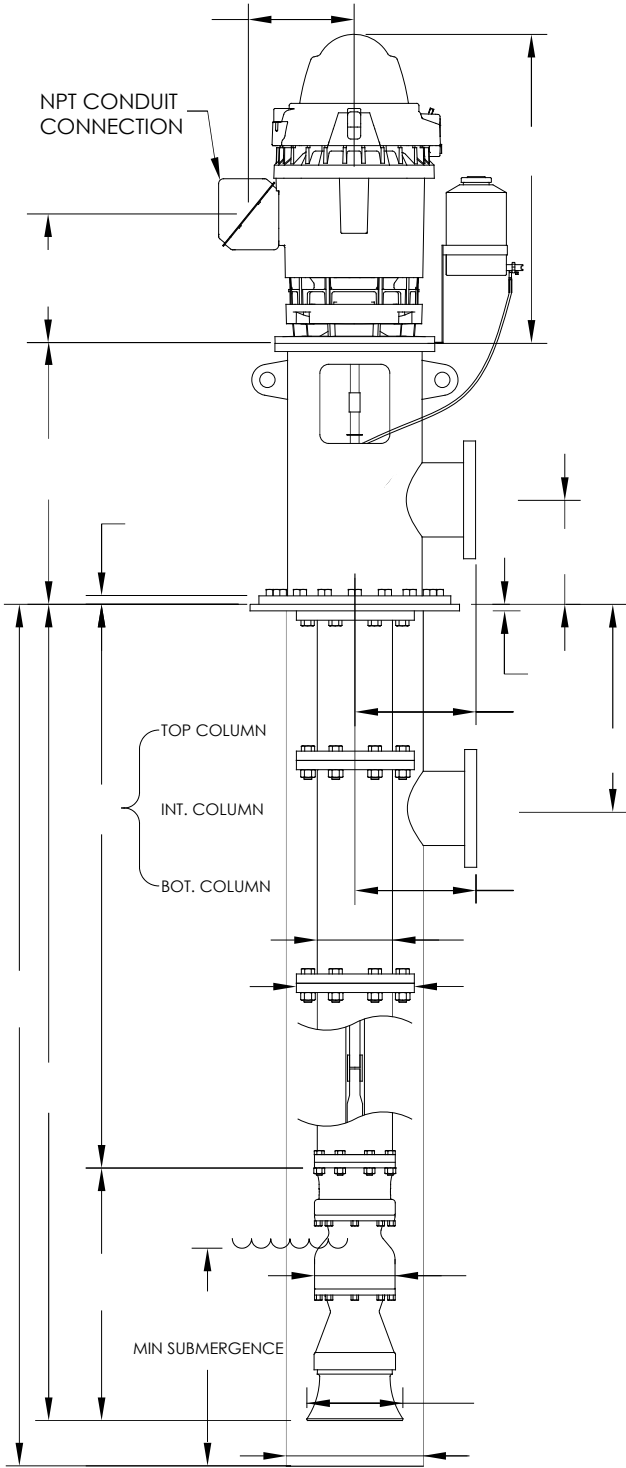


CUSTOMER				DATE	PO
PROJECT				PREPARED BY	
MODEL	STAGES	GPM	TDH	CUSTOMER APPROVAL	
MTR MFG	HP	FRAME	ENCL TYPE		
RPM	VOLTS	PH	HZ		

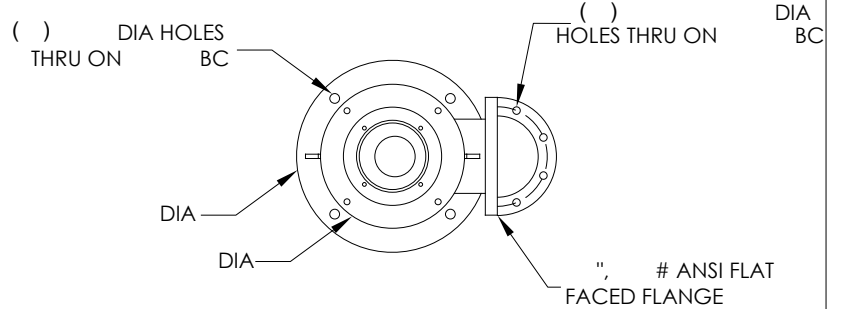


TURBINE PUMP

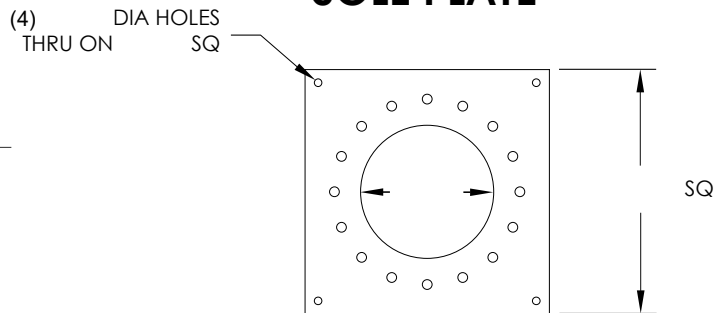
FABRICATED DISCHARGE HEAD, FLANGED COLUMN, ENCLOSED LINESHAFT, BARREL



DISCHARGE HEAD



SOLE PLATE



SHAFT AND COLUMN

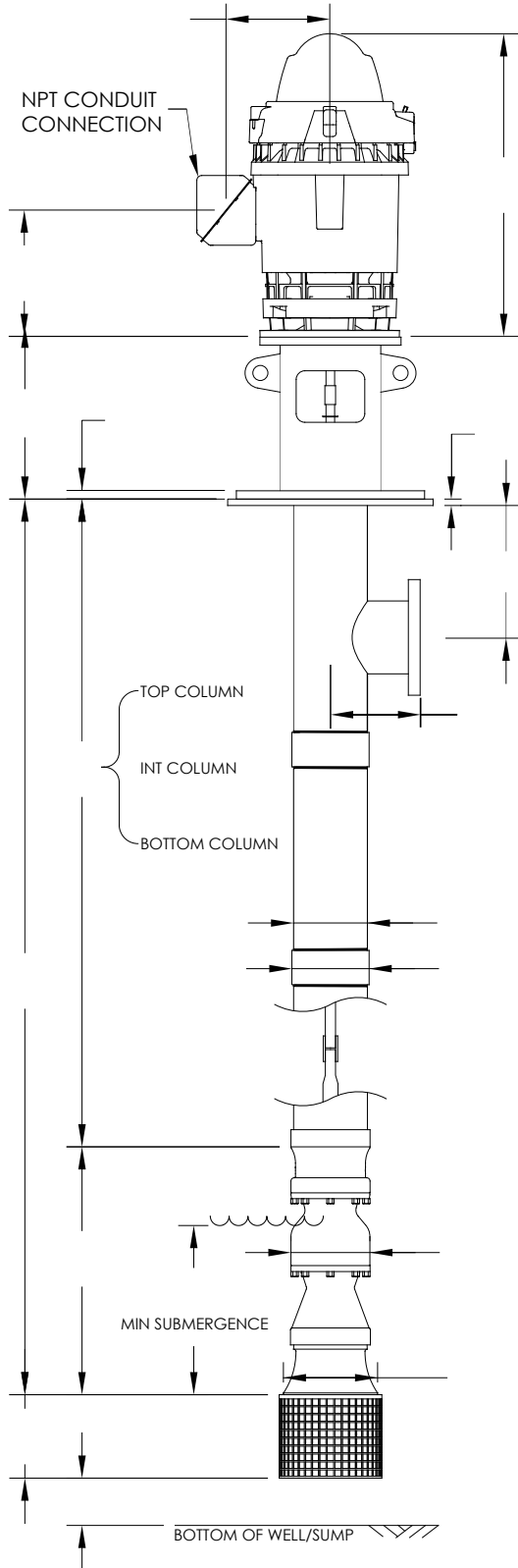
HEADSHAFT Ø	
LINESHAFT Ø	
BOWLSHAFT Ø	
OIL TUBE Ø	
COLUMN WALL	
BARREL WALL	

NOTE: THIS DRAWING IS NOT FOR CONSTRUCTION OR INSTALLATION UNLESS CERTIFIED. DIMENSIONS SHOWN ARE TYPICAL AND MAY VARY DUE TO VARIOUS TOLERANCES.

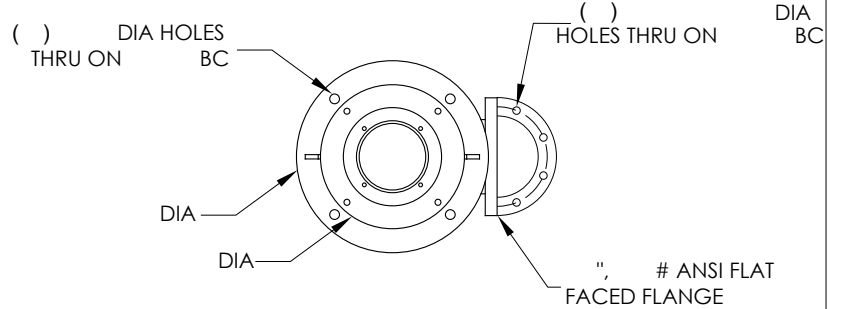
CUSTOMER				DATE	PO
PROJECT				PREPARED BY	
MODEL	STAGES	GPM	TDH	CUSTOMER APPROVAL	
MTR MFG	HP	FRAME	ENCL TYPE		
RPM	VOLTS	PH	HZ		

TURBINE PUMP

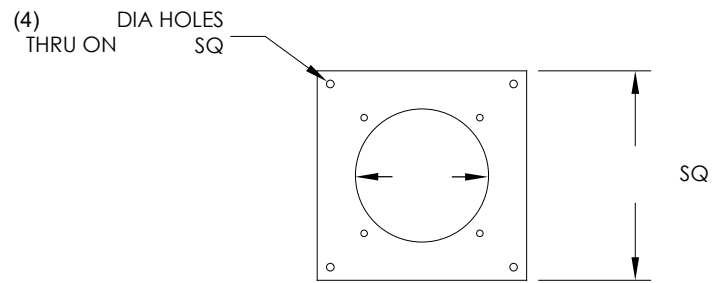
MOTOR PEDESTAL, UNDERGROUND DISCH., THREADED COLUMN, OPEN LINESHAFT



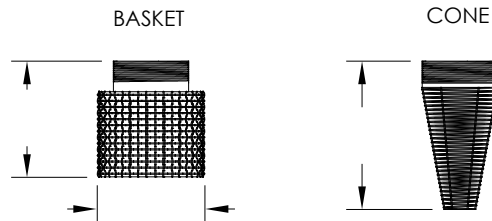
MOTOR PEDESTAL AND DISCHARGE FLANGE



SOLE PLATE



STRAINER OPTIONS



SHAFT AND COLUMN

HEADSHAFT Ø	
LINESHAFT Ø	
BOWLSHAFT Ø	
COLUMN WALL	

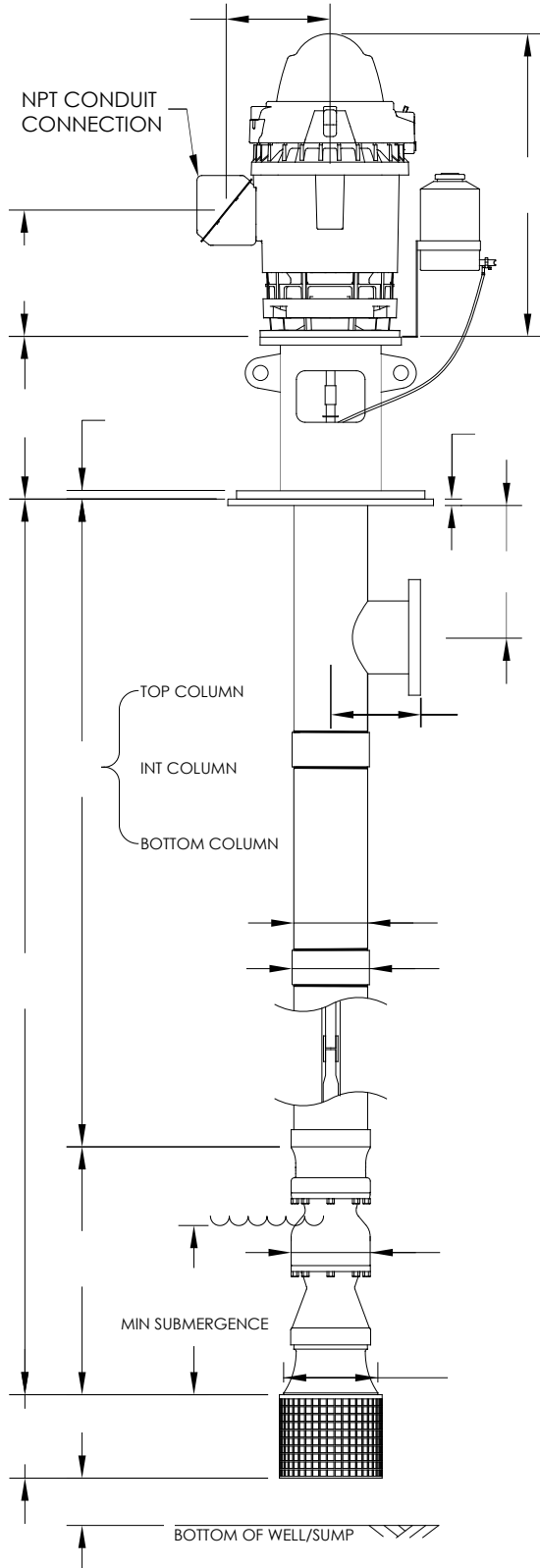
NOTE: THIS DRAWING IS NOT FOR CONSTRUCTION OR INSTALLATION UNLESS CERTIFIED. DIMENSIONS SHOWN ARE TYPICAL AND MAY VARY DUE TO VARIOUS TOLERANCES.

CUSTOMER				DATE	PO
PROJECT				PREPARED BY	
MODEL	STAGES	GPM	TDH	CUSTOMER APPROVAL	
MTR MFG	HP	FRAME	ENCL TYPE		
RPM	VOLTS	PH	HZ		

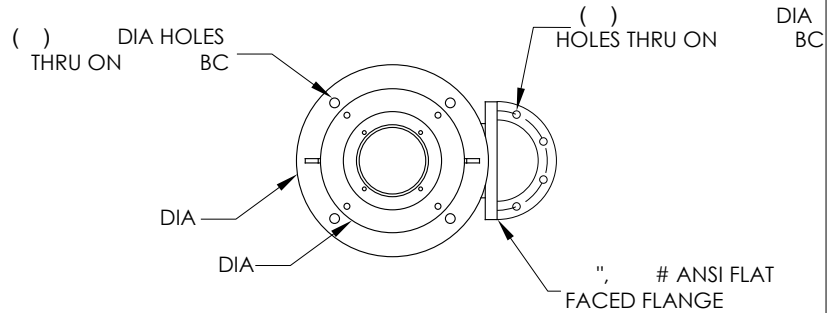


TURBINE PUMP

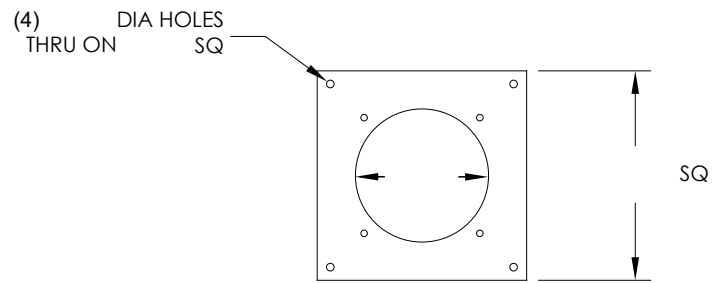
MOTOR PEDESTAL, UNDERGROUND DISCH., THREADED COL., ENCLOSED LINESHAFT



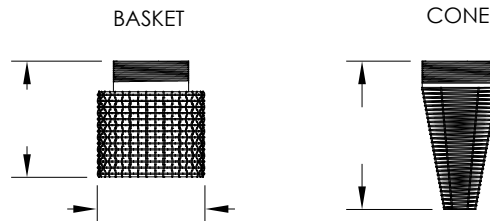
MOTOR PEDESTAL AND DISCHARGE FLANGE



SOLE PLATE



STRAINER OPTIONS



SHAFT AND COLUMN

HEADSHAFT Ø	
LINESHAFT Ø	
BOWLSHAFT Ø	
OIL TUBE Ø	
COLUMN WALL	

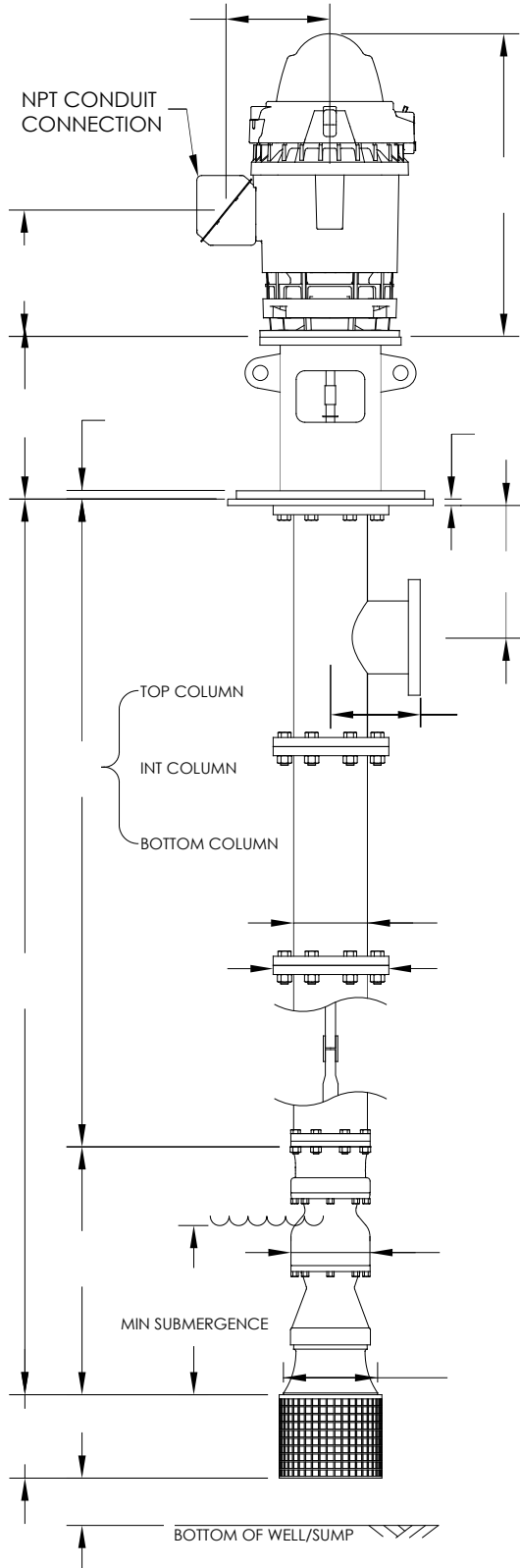
NOTE: THIS DRAWING IS NOT FOR CONSTRUCTION OR INSTALLATION UNLESS CERTIFIED. DIMENSIONS SHOWN ARE TYPICAL AND MAY VARY DUE TO VARIOUS TOLERANCES.

CUSTOMER				DATE	PO
PROJECT				PREPARED BY	
MODEL	STAGES	GPM	TDH	CUSTOMER APPROVAL	
MTR MFG	HP	FRAME	ENCL TYPE		
RPM	VOLTS	PH	HZ		

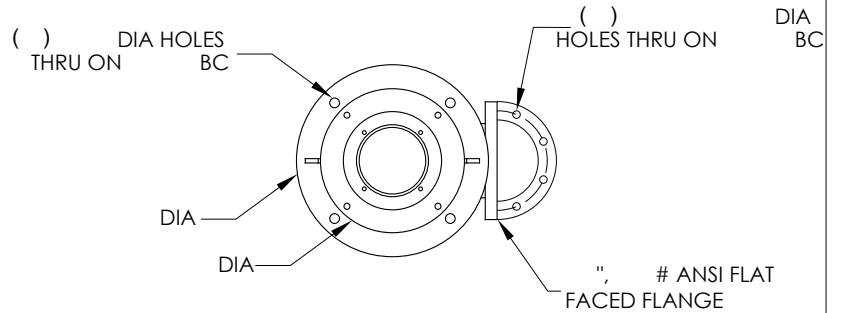


TURBINE PUMP

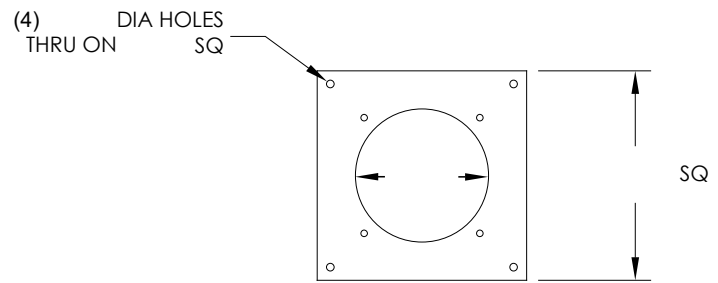
MOTOR PEDESTAL, UNDERGROUND DISCH., FLANGED COLUMN, OPEN LINESHAFT



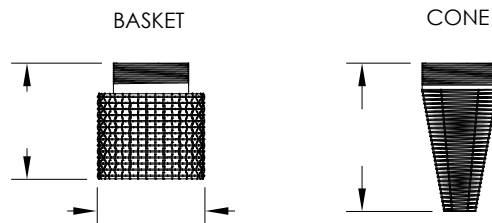
MOTOR PEDESTAL AND DISCHARGE FLANGE



SOLE PLATE



STRAINER OPTIONS



SHAFT AND COLUMN

HEADSHAFT Ø	
LINESHAFT Ø	
BOWLSHAFT Ø	
COLUMN WALL	

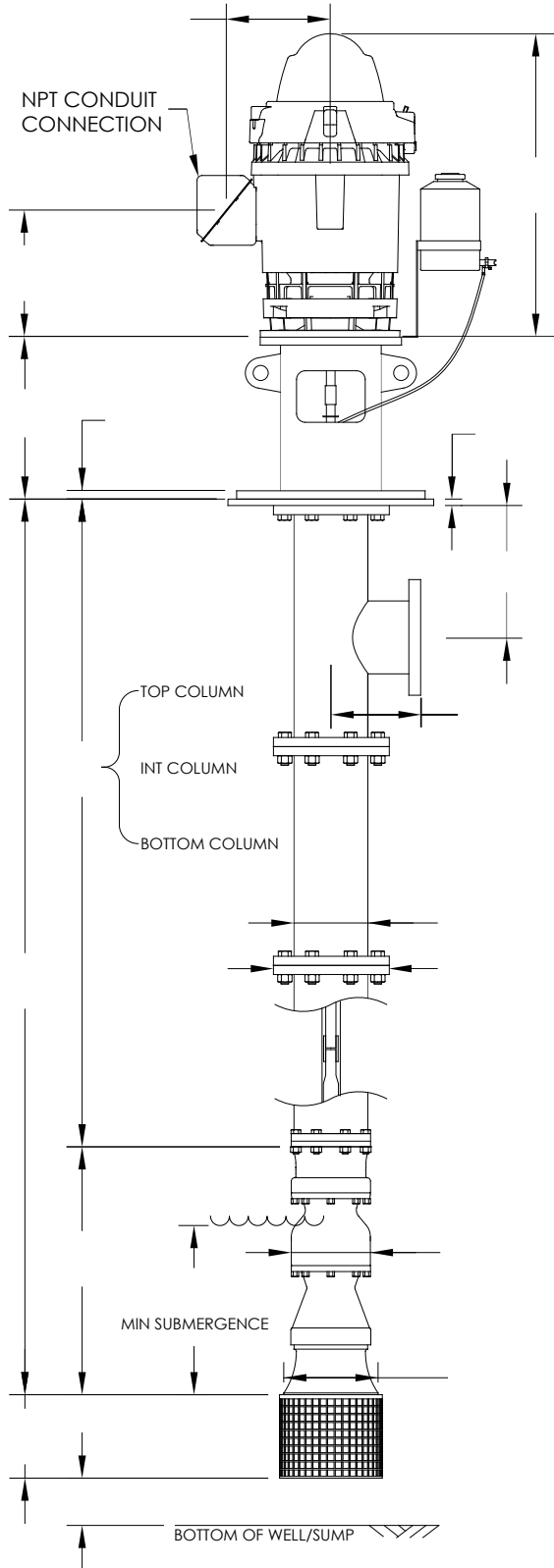
NOTE: THIS DRAWING IS NOT FOR CONSTRUCTION OR INSTALLATION UNLESS CERTIFIED. DIMENSIONS SHOWN ARE TYPICAL AND MAY VARY DUE TO VARIOUS TOLERANCES.

CUSTOMER				DATE	PO
PROJECT				PREPARED BY	
MODEL	STAGES	GPM	TDH	CUSTOMER APPROVAL	
MTR MFG	HP	FRAME	ENCL TYPE		
RPM	VOLTS	PH	HZ		

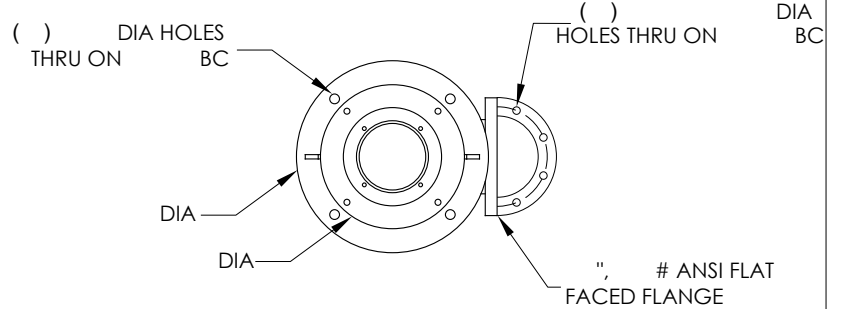


TURBINE PUMP

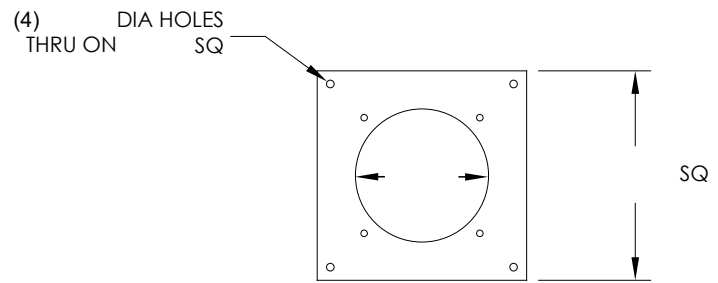
MOTOR PEDESTAL, UNDERGROUND DISCH., FLANGED COL., ENCLOSED LINESHAFT



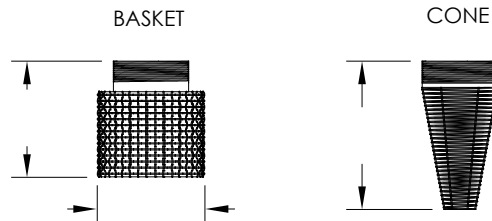
MOTOR PEDESTAL AND DISCHARGE FLANGE



SOLE PLATE



STRAINER OPTIONS



SHAFT AND COLUMN

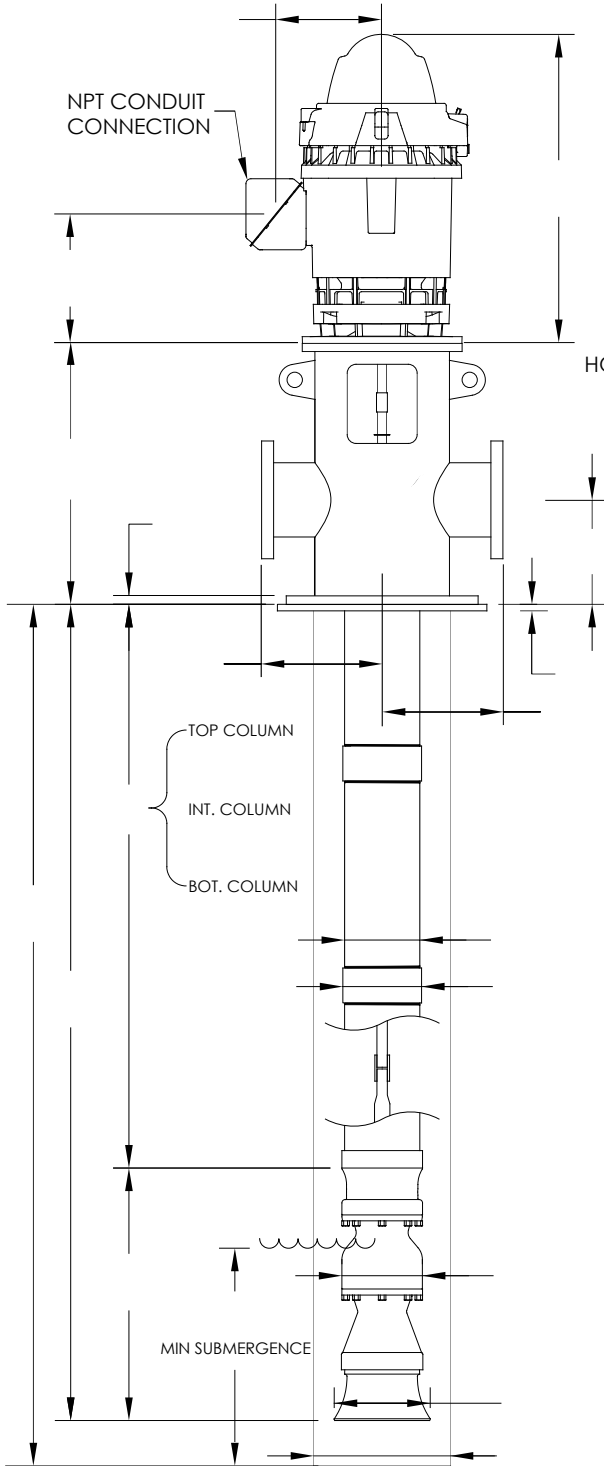
HEADSHAFT Ø	
LINESHAFT Ø	
BOWLSHAFT Ø	
OIL TUBE Ø	
COLUMN WALL	

NOTE: THIS DRAWING IS NOT FOR CONSTRUCTION OR INSTALLATION UNLESS CERTIFIED. DIMENSIONS SHOWN ARE TYPICAL AND MAY VARY DUE TO VARIOUS TOLERANCES.

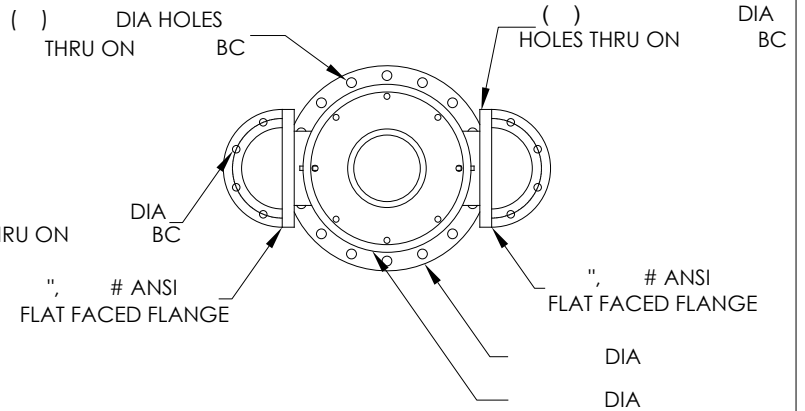
CUSTOMER				DATE	PO
PROJECT				PREPARED BY	
MODEL	STAGES	GPM	TDH	CUSTOMER APPROVAL	
MTR MFG	HP	FRAME	ENCL TYPE		
RPM	VOLTS	PH	HZ		

TURBINE PUMP

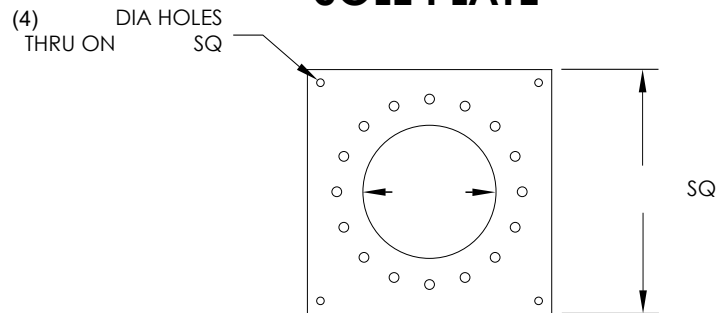
TEE DISCHARGE HEAD, THREADED COLUMN, OPEN LINESHAFT



DISCHARGE HEAD



SOLE PLATE



SHAFT AND COLUMN

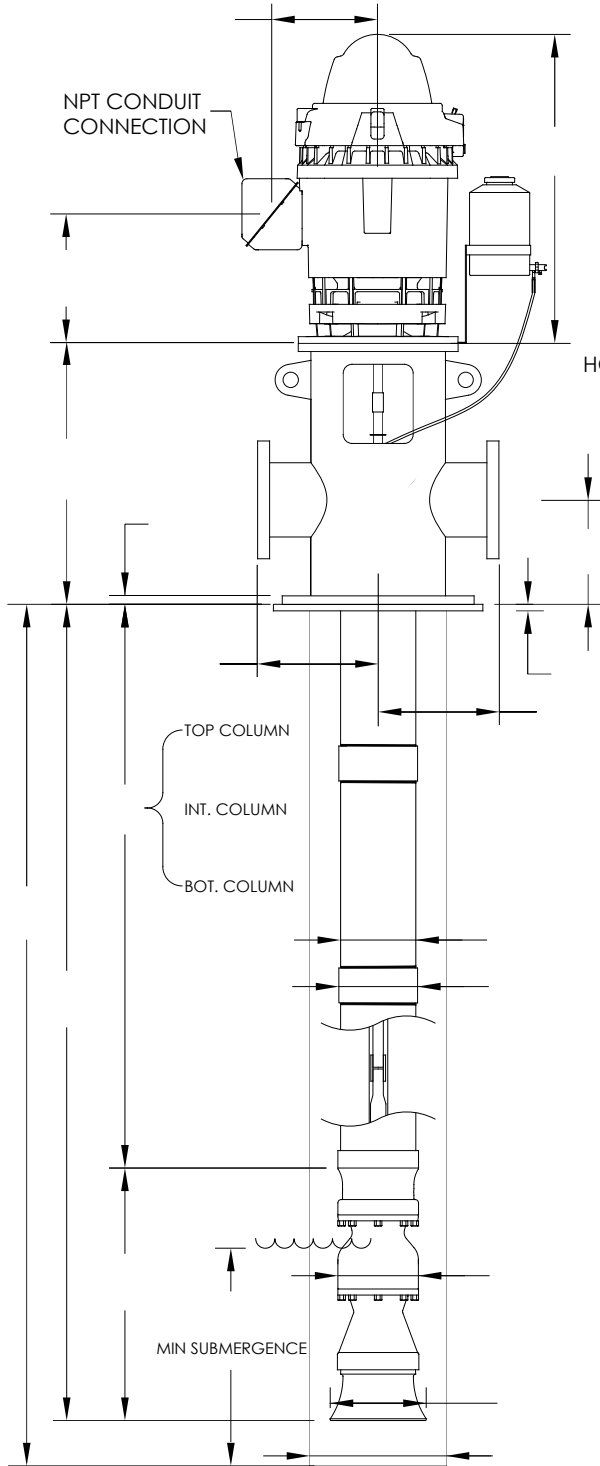
HEADSHAFT Ø	
LINESHAFT Ø	
BOWLSHAFT Ø	
COLUMN WALL	
BARREL WALL	

NOTE: THIS DRAWING IS NOT FOR CONSTRUCTION OR INSTALLATION UNLESS CERTIFIED. DIMENSIONS SHOWN ARE TYPICAL AND MAY VARY DUE TO VARIOUS TOLERANCES.

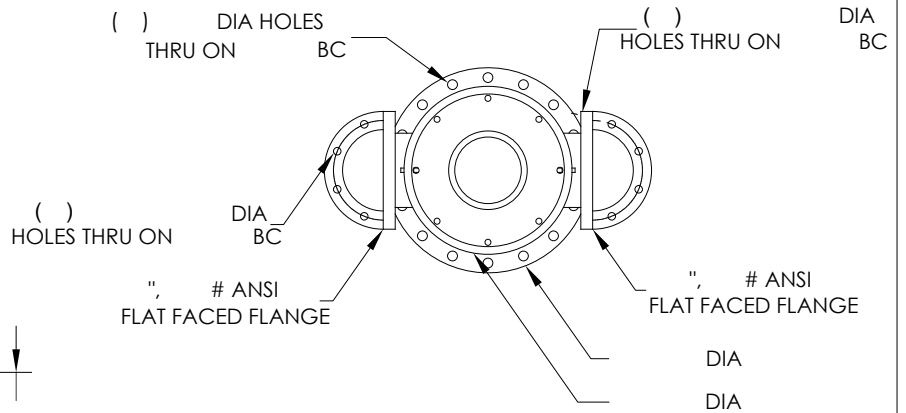
CUSTOMER				DATE	PO
PROJECT				PREPARED BY	
MODEL	STAGES	GPM	TDH	CUSTOMER APPROVAL	
MTR MFG	HP	FRAME	ENCL TYPE		
RPM	VOLTS	PH	HZ		

TURBINE PUMP

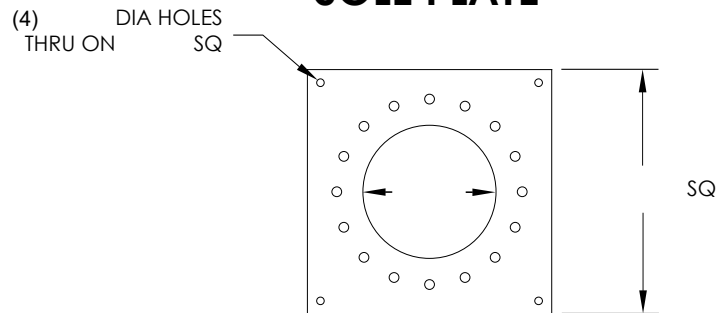
TEE DISCHARGE HEAD, THREADED COLUMN, ENCLOSED LINESHAFT



DISCHARGE HEAD



SOLE PLATE



SHAFT AND COLUMN

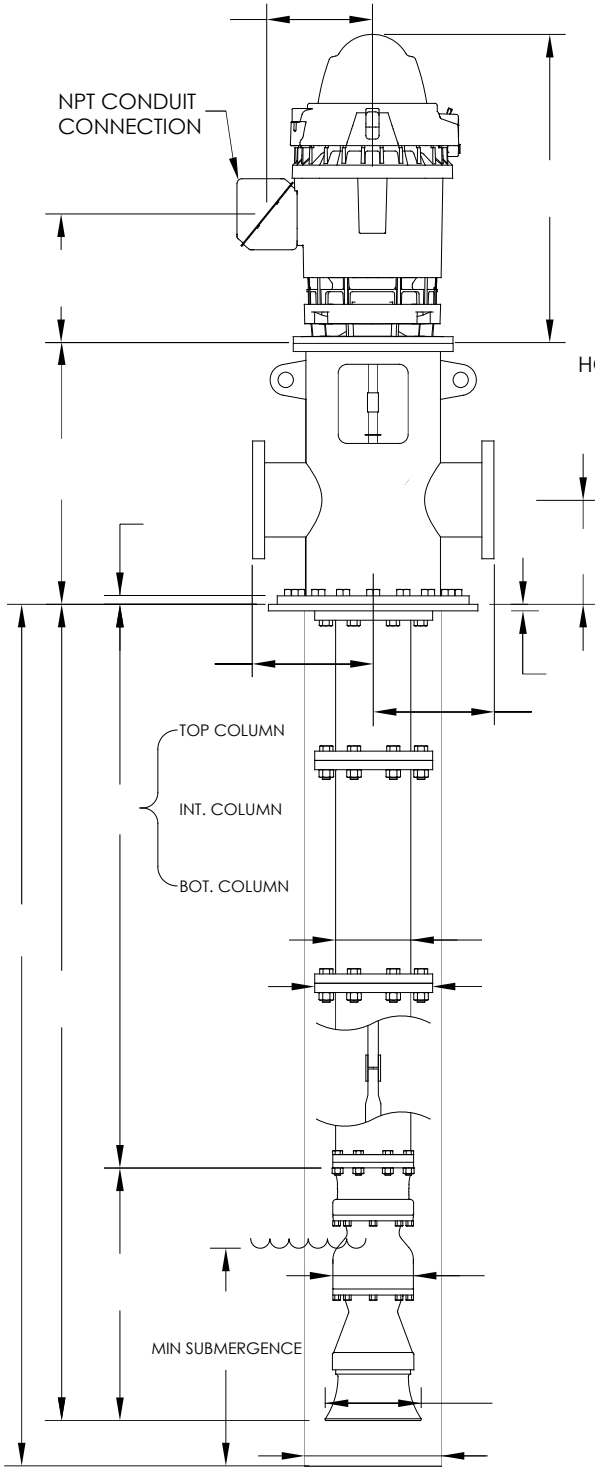
HEADSHAFT Ø	
LINESHAFT Ø	
BOWLSHAFT Ø	
OIL TUBE Ø	
COLUMN WALL	
BARREL WALL	

NOTE: THIS DRAWING IS NOT FOR CONSTRUCTION OR INSTALLATION UNLESS CERTIFIED.
DIMENSIONS SHOWN ARE TYPICAL AND MAY VARY DUE TO VARIOUS TOLERANCES.

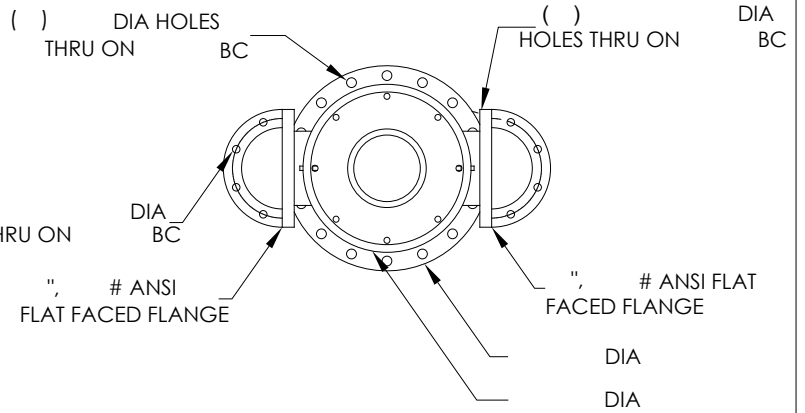
CUSTOMER				DATE	PO
PROJECT				PREPARED BY	
MODEL	STAGES	GPM	TDH	CUSTOMER APPROVAL	
MTR MFG	HP	FRAME	ENCL TYPE		
RPM	VOLTS	PH	HZ		

TURBINE PUMP

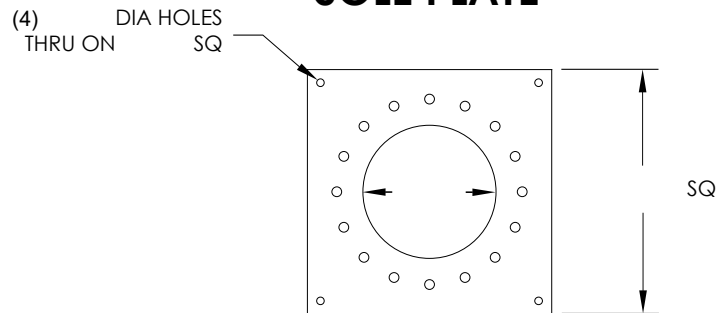
TEE DISCHARGE HEAD, FLANGED COLUMN, OPEN LINESHAFT



DISCHARGE HEAD



SOLE PLATE



SHAFT AND COLUMN

HEADSHAFT Ø	
LINESHAFT Ø	
BOWLSHAFT Ø	
COLUMN WALL	
BARREL WALL	

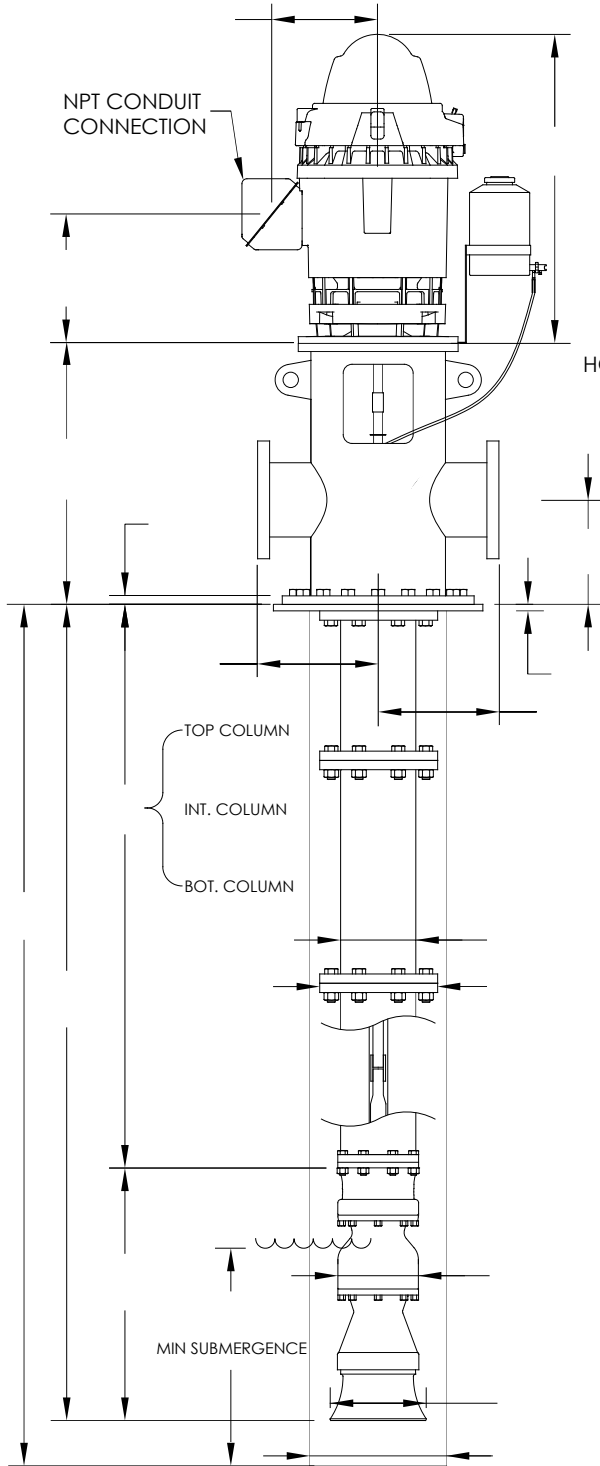
NOTE: THIS DRAWING IS NOT FOR CONSTRUCTION OR INSTALLATION UNLESS CERTIFIED. DIMENSIONS SHOWN ARE TYPICAL AND MAY VARY DUE TO VARIOUS TOLERANCES.

CUSTOMER				DATE	PO
PROJECT				PREPARED BY	
MODEL	STAGES	GPM	TDH	CUSTOMER APPROVAL	
MTR MFG	HP	FRAME	ENCL TYPE		
RPM	VOLTS	PH	HZ		

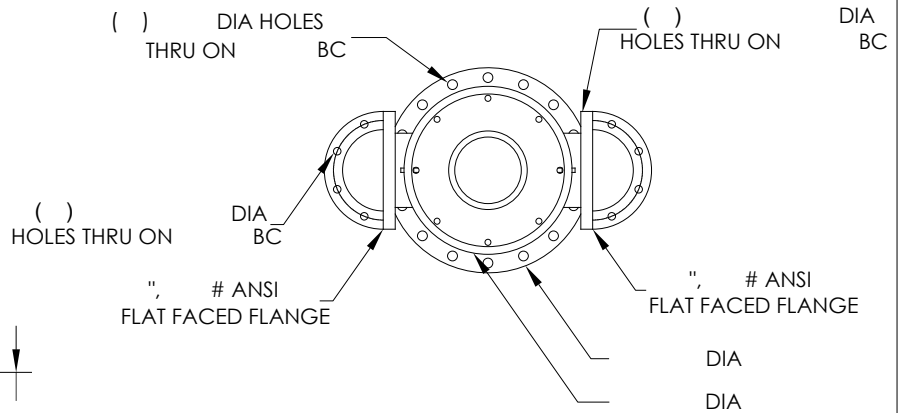


TURBINE PUMP

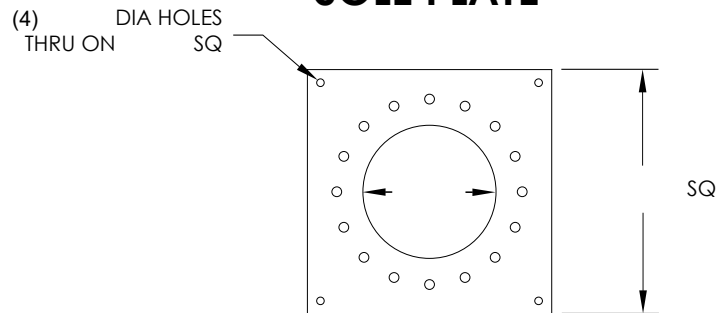
TEE DISCHARGE HEAD, FLANGED COLUMN, ENCLOSED LINESHAFT



DISCHARGE HEAD



SOLE PLATE



SHAFT AND COLUMN

HEADSHAFT Ø	
LINESHAFT Ø	
BOWLSHAFT Ø	
OIL TUBE Ø	
COLUMN WALL	
BARREL WALL	

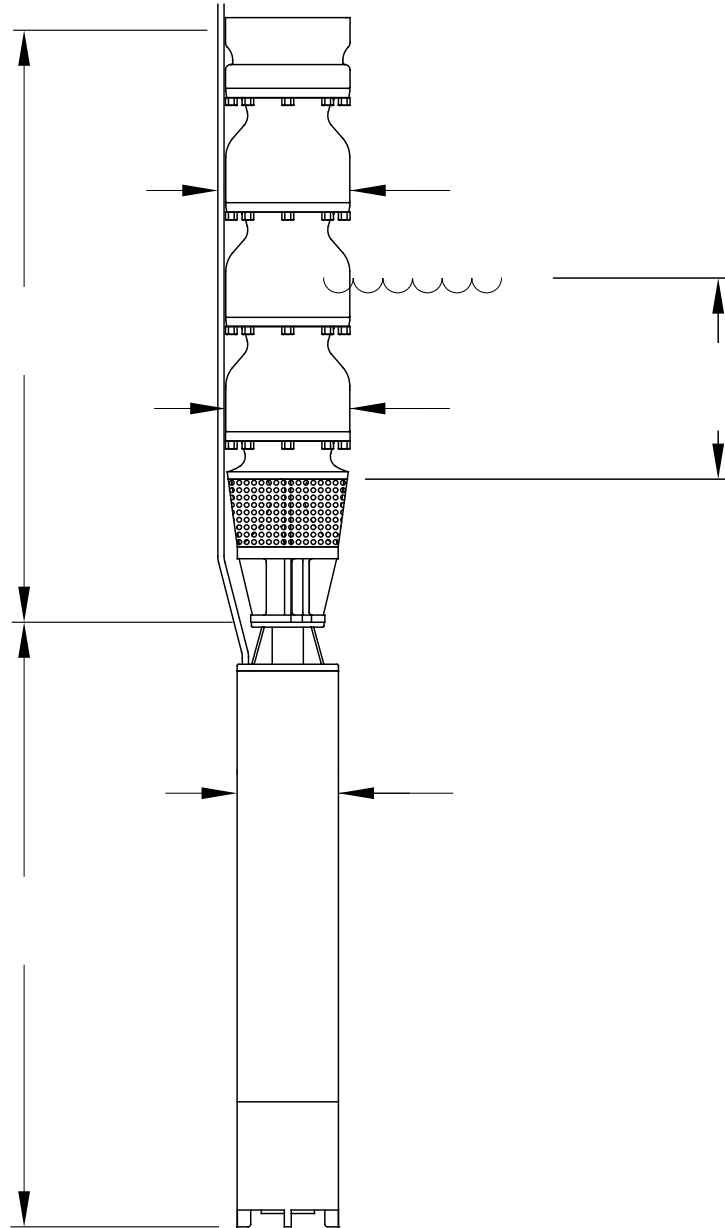
NOTE: THIS DRAWING IS NOT FOR CONSTRUCTION OR INSTALLATION UNLESS CERTIFIED. DIMENSIONS SHOWN ARE TYPICAL AND MAY VARY DUE TO VARIOUS TOLERANCES.

CUSTOMER				DATE	PO
PROJECT				PREPARED BY	
MODEL	STAGES	GPM	TDH	CUSTOMER APPROVAL	
MTR MFG	HP	FRAME	ENCL TYPE		
RPM	VOLTS	PH	HZ		



SUBMERSIBLE TURBINE PUMP

SUBMERSIBLE MOTOR AND BOWL ASSEMBLY



NOTE: THIS DRAWING IS NOT FOR CONSTRUCTION OR INSTALLATION UNLESS CERTIFIED.
DIMENSIONS SHOWN ARE TYPICAL AND MAY VARY DUE TO VARIOUS TOLERANCES.

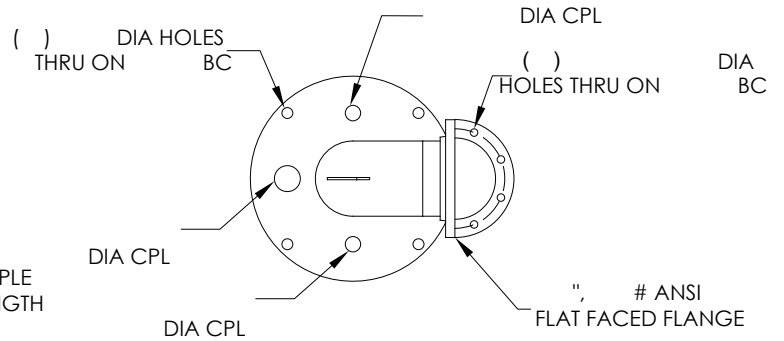
CUSTOMER				DATE	PO
PROJECT				PREPARED BY	
MODEL	STAGES	GPM	TDH	CUSTOMER APPROVAL	
MTR MFG		HP	NEMA		
RPM	VOLTS	PH	HZ		



SUBMERSIBLE TURBINE PUMP

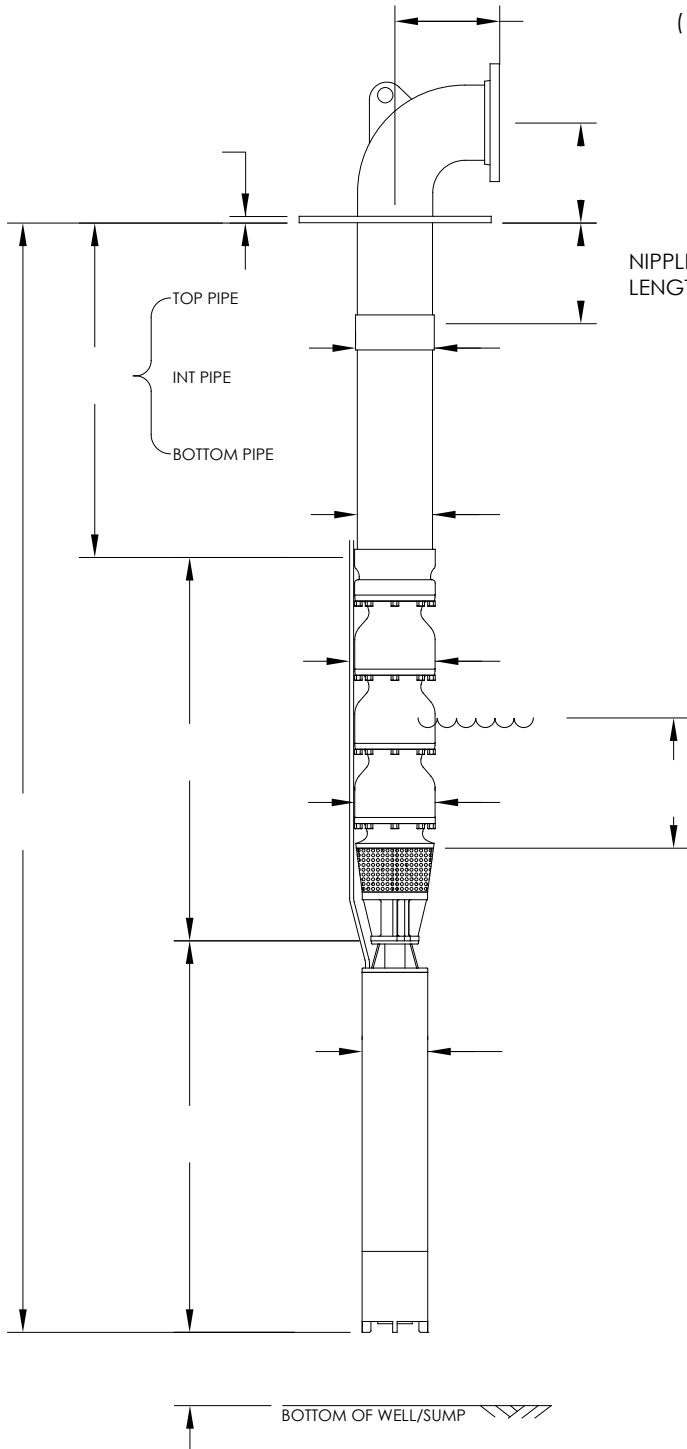
FABRICATED DISCHARGE ELBOW, THREADED DISCHARGE PIPE, FLANGED DISCHARGE

DISCHARGE ELBOW



SHAFT AND DISCHARGE PIPE

BOWLSHAFT Ø	
PIPE WALL	



NOTE: THIS DRAWING IS NOT FOR CONSTRUCTION OR INSTALLATION UNLESS CERTIFIED. DIMENSIONS SHOWN ARE TYPICAL AND MAY VARY DUE TO VARIOUS TOLERANCES.

CUSTOMER				DATE	PO
PROJECT				PREPARED BY	
MODEL	STAGES	GPM	TDH	CUSTOMER APPROVAL	
MTR MFG		HP	NEMA		
RPM	VOLTS	PH	HZ		